

Non-Asbestos Industrial Friction Materials

PRODUCT CATALOG



Cranes, Shovel & Draglines Overhead Crane Linings

Gear Tooth Facings Flat Sheet Oilfield Frictions

Green Gripper Woven Flexible Molded Linings

Gemini Frictions Forklift Sets Plant Frictions

Paper Mill Frictions Off Road Equipment



Manufactured by:

SCAN-PAC MFG., INC.

N84 W13510 Leon Rd. • Menomonee Falls, WI 53051

Phone: 262.255.2525 • Fax: 262.255.2528

Email: sales@scanpac.com • website: www.scanpac.com

TABLE OF CONTENTS

Crane, Shovel & Draglines	3 - 14
Overhead Crane Linings	15 - 20
Gear Tooth Facings	21 - 26
Flat Sheets	27 - 34
Oilfield Frictions	35 - 38
Green Gripper Woven	39 - 40
Flexible Molded Linings	41 - 44
Gemini Frictions	45 - 46
Gatke	47 - 50
Forklift Sets	51 - 60
Plant Frictions	61 - 66
Paper Mill Frictions	67 - 76
Off Road Equipment	77 - 99

SCAN PAC MFG. TOLERANCES for PRODUCING PRODUCTS

Size and Tolerance Data (For Sheeter Products Only)

Rolls	Thickness:	- 1/32" to 1/2"	+ .000/- .020"
	Width:	- 1" to 13"	To 6" wide +/- 1/32" 6" to 10" +1/32" -1/16" Over 10" +1/32" -1/8"
Flat Sheets	Thickness:	- 1/32" to 1/2"	+/- .010"
	Sheet Size		20" x 60" 30" x 30"
Facings	Thickness:	- 1/32" to 1/2"	+/- .010"
		- OD to 12"	+/- 1/32"
		- OD over 12"	+/- 1/16"
		- ID to 12"	+1/16" - .000
		- ID over 12"	+1/8" - .000

Tolerance and Size Data (For Molded Products Only)

Blocks	Thickness: 1/8" to 2 1/2"	- To 3/8"	+ .000/- .020"
		- Over 3/8"	+ .000/- .030"
	Width:	- To 6"	+/- 1/32"
		- 6" to 8"	+/- 1/32" / -1/16"
		- Over 8"	+1/32/ - 1/8"
Flat Sheets	Size and Thickness:	- 20" x 20"	up to 1 1/2"
		- 30" x 30"	up to 1/2"
		- 12 3/4" x 15"	up to 2 1/2"
		- To 3/8" Thick	+ .000/- .020"
		- Over 3/8" Thick	+ .000/- .030"
Facing	Thickness:	- To 3/8"	+ .000/- .020"
		- Over 3/8"	+ .000/- .030"
		- OD to 12"	+/- 1/32"
		- OD Over 12"	+/- 1/16"
		- ID To 12"	+/- 1/16" - .000
		- ID Over 12"	+1/8" - .000



Non-Asbestos Industrial Friction Materials

**CRANE, SHOVELS
& DRAGLINES**



CRANE, SHOVELS & DRAGLINES

For a more details please see our Crane Shovel & Draglines catalog

http://www.scanpac.com/cm/pdfs/ScanPac_Cranes_Shovels_Web.pdf

NON-ASBESTOS INDUSTRIAL SETS

MODEL	MAT.	OEM #	DRUM DIAMETER	SIZE
10200D	RF 38	NW80D	10 1/2E	3 x 1/4 x 8 1/4 (6)
12300	RF 38	MAR191M	12E	2 3/8 x 5/16 x 8 1/2
12401	RF 38	PH55TC	12 1/2N	2 1/2 x 3/8 x 13 3/4
13301	RF 38	PH557C155	13 1/4E	2 1/4 x 5/16 x 9
13400D	RF 38	PH2100, 2300	13E	5 1/2 x 3/8 x 10 3/4
13400	RF 53	PH2100, 2300	13 1/4E	2 1/4 x 5/16 x 9
13401	RF 38	PH1600, 1900	13E	6 x 3/8 x 11
13401D	RF 38	PH1600, 1900	13E	5 1/2 x 3/8 x 10 3/4
14400	RF 38	BE25B	14E	3 x 3/8 x 7
14401	RF 38	PH55TC	15N	2 1/2 x 3/8 x 17
14402	RF 38	LB-HC48A	14E	3 1/2 x 3/8 x 13 3/4
15401	RF 38	PH155TC	16N	3 x 3/8 x 9
15402	RF 38	PH325TC	16N	3 x 3/8 x 11
15406	RF 38	LOR-L15	16N	3 x 3/8 x 11
15501D	RF 38	AHD4210	16N	3 x 7/16 x 4 1/4
16201	RF 38	LB-LS5000	16E	3 1/2 x 1/4 x 9 3/8
16202	RF 38	BANT350T	17N	3 x 1/4 x 15
16500	RF 38	MAR191	16E	6 x 1/2 x 8 3/8
16502	RF 38	P&H2100, 2300	16E	3 1/2 x 1/2 x 13
16502D	RF 38	P&H2100, 2300	16E	6 1/2 x 1/2 x 13 3/8
17300	RF 34	UNIT1220A	17 3/4E	5 x 1/4 x 7 1/2
17300D	RF 34	UNIT1220A	17 3/4E	2 1/4 x 5/16 x 7 1/2
17400D	RF 34	AHD300	18N	3 1/2 x 3/8 x 4 11/16
17401	RF 38	LB78	18N	4 1/2 x 3/8 x 9 9/16
17405	RF 38	P&H320	18N	4 1/2 x 3/8 x 9 1/4
17406	RF 38	P&H320	18N	4 x 3/8 x 5 15/16
17407	RF 38	AHD200	18N	3 x 3/8 x 4 5/8 (6)
17408	RF 38	AHD200	18N	3 x 3/8 x 4 5/8 (6)
17410	RF 34	LOR-L36	18N	3 x 3/8 x 4 7/16
17418	RF 38	LB58,68,418	17 1/4N	4 x 3/8 x 15 1/4
17419	RF 38	LB3000,3500	17 1/4N	5 x 3/8 x 9 1/4
17500D	RF 34	AHD-300	18N	3 1/2 x 7/16 x 3 27/64
18200	RF 38	LB-HC48	18E	3 x 1/4 x 11 3/8
18401	RF 38	LB LS68	18E	4 x 3/8 x 14 13/16
18402	RF 38	LIMA 45	18 1/2E	5 x 3/8 x 11
19300D	RF 38	BE 38B	20N	4 x 5/16 x 10 1/2
19302	RF 38	BE15B, 30B	20N	2 1/2 x 5/16 x 10 1/4
19400	RF 12/38	LS98	19 1/4E	2 3/4 x 5/16 x 11 5/8
19400D	RF 12/38	LS98	20N	5 x 3/8 x 3 3/8 (2)
19401	RF 38	LS78	20N	4 1/2 x 3/8 x 3 1/2 (2)
19402	RF 38	LOR-L50,MC424,MC504N	20N	4 x 3/8 x 10 3/32

NON-ASBESTOS INDUSTRIAL SETS

MODEL	MAT.	OEM #	DRUM DIAMETER	SIZE
19404	RF 12/38	LB-LS98	20N	6 1/2 x 3/8 x 3 5/16(2)RF12
19406	RF 38	BE30B	19E	2 1/4 x 3/8 x 2 9/16(2)
19500D	RF 38	AHD4210	20N	4 x 1/2 x 5
19500D	RF 34	AHD4210	20N	4 x 1/2 x 5
19501	RF 38	PH2300	20N	3 x 3/8 x 9 17/32
19501D	RF 38	PH2300	19E	8 1/2 x 1/2 x 15 3/4
20200	RF 38	LBL578,HC78A	20E	3 x 1/4 x 10 3/8
20202	RF 38	LB128	20E	4 x 1/4 x 12
20302D	RF 38	UNIT271C,761C	20N	3 1/2 x 1/2 x 5 1/4
20401	RF 38	BE30B	20E	3 1/2 x 3/8 x 10 3/16
20402	RF 38	BE30B	20E	3 x 3/8 x 15
20403	RF 38	UNIT	20E	2 1/4 x 3/8 x 7 3/8
20500D	RF 38	AHD4250/4450	20N	3 1/2 x 1/2 x 5 1/4
21400	RF 38	AHD300	21E	3 1/2 x 3/8 x 13 1/2
21401	RF 38	KOEHRING 405	21E	3 1/2 x 3/8 x 13 1/2
21401D	RF 38	KOEHRING 405	22N	4 x 3/8 x 13 3/8 (2)
21402	RF 38	KOEHRING 405	22N	5 x 3/8 x 13 2/8 (2)
21403	RF 38	PH670	22N	5 x 3/8 x 10 1/2
21406	RF 38	PH	22N	4 x 3/8 x 14.76
21407	RF 38	P&H 670	22N	4 x 3/8 x 10.38
21500D	RF 38	AHD300	21E	3 1/2 x 7/16 x 3
21502	RF 38	PH1900/2100	21E	9 x 1/2 x 16 1/2
21502D	RF 38	PH1900/2100	21E	9 1/2 x 1/2 x 17 1/2
22200D	RF 38	BE38, 548	22E	3 x 1/4 x 13 1/2
22201	RF 38	LB-LS98, 108	22E	3 x 1/4 x 12
22202	RF 38	LB-LS78	22E	3 3/4 x 1/4 x 15
22203	RF 38	LB-LS78	22E	3 1/2 x 1/4 x 15
22400	RF 38	PH320	23N	3 x 3/8 x 11 1/8
22401	RF 38	LIMA604/703	23N	6 x 3/8 x 14 7/8
22402	RF 38	LB-238	23N	6 x 3/8 x 14 7/8
22402D	RF 38	LB-238	23N	6 x 3/8 x 12 3/8
22404	RF 38	LIMA 75C	23N	5 1/2 x 3/8 x 16
22500D	RF 38	AHD 900	23N	4 x 1/2 x 4 7/16
22500D	RF 38	AHD 900	23N	4 x 1/2 x 4 7/16
22501	RF 38	LIMA 2400	23N	6 1/2 x 1/2 x 16 15/16
22504	RF 38	LIMA 1250	23N	6 x 1/2 x 15 1/2
22505	RF 34	AHD 500	23N	5 x 1/2 x 6 1/2
22505	RF 38	AHD 500	23N	5 x 1/2 x 6 1/2
22506	RF 38	LIMA 2400	22E	6 1/2 x 1/2 x 12
22508	RF 38	PH 670	23N	4 x 1/2 x 6 1/2 (2)
23400D	RF 38	AHD 500	23 1/2E	2 1/2 x 3/8 x 5 11/16

NON-ASBESTOS INDUSTRIAL SETS

MODEL	MAT.	OEM #	DRUM DIAMETER	SIZE
23401D	RF 38	BE-38B	24N	6 x 3/8 x 10 3/8
23402	RF 38	BE-38B	24N	3 1/2 x 5/16 x 7 3/4
23403	RF 38	BE-51B	24N	5 x 3/8 x 10 5/16
23404	RF 38	BE-22B	24N	3 x 3/8 x 12 1/2
23405	RF 38	BE-19, 22B	24N	3 x 3/8 x 12 1/2
23406	RF 38	LB-LS78,HC78A	23E	3 3/4 x 3/8 x 14 1/2
23408	RF 38	LBK 375	24N	4 x 3/8 x 20
23410	RF 38	LBK 375	24N	4 x 3/8 x 12 5/16
23411	RF 38	PH 9125	24N	5 x 3/8 x 7 1/4
23412	RF 38	LIMA 703D	24N	5 x 3/8 x 7 1/4
23500D	RF 38	BE 25B	24N	4 x 3/8 x 10 5/16
23501	RF38	BE 22B	24N	3 x 1/2 x 12 1/2
23502D	RF 38	BE 38D	24N	4 x 3/8 x 10 5/16
23700	RF 38	LOR-L55A	24N	5 1/2 x 3/4 x 10 5/8 (2)
24200	RF 38	LB-LS418,LS518	24E	5 x 1/4 x 14 3/8
24400	RF 38	BE 54B	24E	6 x 3/8 x 10 3/8
24401	RF 38	BE 25B	24E	3 x 3/8 x 11 1/2
24403	RF 38	PH 955	24E	5 x 3/8 x 13 1/4
24404	RF 38	PH 325TC	24E	3 1/2 x 3/8 x 16
24406	RF 38	KOEHRING	25N	5 x 3/8 x 17 3/4
24408	RF 38	AH&D 700	24E	4 x 3/8 x 6.125
24500D	RF 38	AHD 700	24N	4 x 3/8 x 10 5/16
24501D	RF 38	AHD 900	24N	4 x 3/8 x 10 5/16
24502D	RF 38	AHD 4120	24N	4 x 3/8 x 10 5/16
24507	RF 38	BE 88B	24E	3 x 1/2 x 5 7/8
24508	RF 38	LB-LS718	24E	4 1/2 x 1/2 x 15 1/4
25201	RF 38	LB-238	26N	4 1/4 x 1/4 x 9 7/8
25402	RF 38	AHD 830	25E	7 x 3/8 x 16
25403	RF 38	LB-HC138A	26N	4 x 3/8 x 8 5/8
25404	RF 12/38	LB-LS128	26N	4 x 3/8 x 8 5/8
25405	RF 38	LB-LS318	26E	6 x 3/8 x 14 7/8
26400	RF 38	BE 25B	26E	4 x 3/8 x 51/2 (1)
26401	RF 38	BE 30B	26E	4 x 3/8 x 10 15/16
26403	RF 38	PH 670	27N	4 x 3/8 x 10 1/4
26500D	RF 38	AHD 700	24N	4 x 3/8 x 10 5/16
26500D	RF 34	AHD 700	24N	4 x 3/8 x 10 5/16
26500D	RF 52	AHD 700	26E	6 x 3/8 x 14 7/8
26501 RD	RF 38	NW4, 5, 6, 80	26E	6 x 3/8 x 14 7/8
27200	RF 38	LB-LS 98, 108	27E	4 x 1/4 x 17 1/4
27201	RF 38	LB 418	27E	4 x 1/4 x 12 3/8 (3)
27400	RF 38	BE 19, 20, 22	27 1/2E	3 x 3/8 x 10 15/16
27401	RF 38	BE 19, 20, 22	27 1/2E	3 x 3/8 x 5 1/2 (1)

NON-ASBESTOS INDUSTRIAL SETS

MODEL	MAT.	OEM #	DRUM DIAMETER	SIZE
32403	RF 38	LBHC138	32E	4 x 3/8 x 10 1/4
32405	RF 38	PH-670	32 1/2E	4 x 3/8 x 9
32409	RF 38	P&H 5100	32E	5 x 3/8 x 8 7/8
32500D	RF 38	AHD 700	32E	5 x 1/2 x 5
33500	RF 38	BE38B	33 1/2E	3 1/2 x 3/8 x 10.55
33501	RF 38	LIMA 1250	34N	6 x 1/2 x 17 7/8
33701	RF 38	LIMA 1250, 1251	34N	6 x 3/4 x 17 1/2
34400	RF 38	BE-30B	34 5/8E	4 x 3/8 x 5 13/16 (1)
34401	RF 38	BE-30B	34 5/8E	4 x 3/8 x 13 7/8
34402D	RF 38	LB-238	34E	6 1/2 x 3/8 x 10 5/8
34403	RF 38	LB-238	34E	5 x 3/8 x 10 3/4
34404	RF 41	RUSTON BE	34 5/8E	5 x 3/8 x 5.906 (1)
34406D	RF 38	P&H 925	34 1/2E	4 x 3/8 x 10 1/16
35400	RF 38	BE 38B	36N	4 x 3/8 x 15 1/4
35401D	RF 38	BE 30B	35E	5 x 3/8 x 5 3/4 (2)
35403	RF 38	KOEHR	36N	6 x 3/8 x 17
35404	RF 38	LB	36N	4 3/4 x 3/8 x 12 5/8
35500	RF 38	BE-54B	36N	4 3/4 x 3/8 x 12 5/8
35600D	RF 38	AHD-700	36N	5 x 5/8 x 6 3/4
35600D	RF 34	AHD-700	36N	5 x 5/8 x 6 3/4
35601D	RF 38	AHD 900	36N	8 x 5/8 x 7
35601 KL	RF 38	AHD 900	35E	5 x 3/8 x 5 3/4 (2)
35601D	RF 34	AHD 900	35E	5 x 3/8 x 5 3/4 (2)
35700D	RF 38	BE-71B	35E	5 x 3/8 x 5 3/4 (2)
36400D	RF 38	AHD 900	36E	3 x 3/8 x 8
36403	RF 38	LB-218	36E	4 1/2 x 3/8 x 11
36406	RF 38	AH&D 840	36E	5 x 3/8 x 6 3/4 (2)
36500D	RF 38	AHD 700	36E	5 x 1/2 x 5
36502	RF 38	BE 61B	37E	5 x 1/2 x 16 7/8
37400	RF 38	BE-51B	38N	5 x 3/8 x 13 1/4
37401	RF 38	LIMA 604	37E	4 1/2 x 3/8 x 8 5/8
38400D	RF 38	PH 9125	38E	5 x 3/8 x 11 1/2
38500D	RF 38	AHD 830	38E	4 x 1/2 x 5 13/16
38501	RF 38	LB 318	38N	5 x 1/2 x 13.67
38502	RF 38	LB 318	38E	5 1/2 x 1/2 x 14.75
38504	RF 38	LB-LS 128	38E	5 x 1/2 x 14
38506	RF 38	LB-718	38E	5 x 1/2 x 15 5/8
38507	RF 12/38	LB-408	38E	7 3/16(1)RF38 7 3/16(1)RF12
38600	RF 38	LB-408	37N	5 1/2 x 5/8 x 15
38601	RF 38	LB 318	38E	5 1/2 x 5/8 x 14 23/32
39500D	RF 38	AHD 500	39E	4 x 1/2 x 5 11/16
39501D	RF 38	MAR 93M	40N	5 x 1/2 x 8 1/4

NON-ASBESTOS INDUSTRIAL SETS

MODEL	MAT.	OEM #	DRUM DIAMETER	SIZE
39502	RF 38	MAR 191M	39E	9 x 1/2 x 14 1/2
39504D	RF 38	BE 61B	39E	4 x 1/2 x 5 11/16
39505	RF 38	NW 95	40N	4 x 1/2 x 12 (4)
39600D	RF 38	BE 88B	39E	4 x 1/2 x 5 11/16
39600KL	RF 38	BE 88B	39E	4 x 1/2 x 5 11/16
39700KL	RF 38	MAN 4600	39E	4 x 1/2 x 5 11/16
39800KL	RF 34	MAN 4600	39E	4 x 1/2 x 5 11/16
39800KL	RF 38	MAN 4600	39E	4 x 1/2 x 5 11/16
39900KL	RF 38	MAN 4600	39E	4 x 1/2 x 5 11/16
40400	RF 38	MAN 3000	40N	5 x 3/8 x 11
40400	RF 34	MAN 3000	40N	5 x 3/8 x 11
40401	RF 38	BE 38B	40E	4 x 3/8 x 11 5/16
40500	RF 38	MAN 3000	40E	5 x 1/2 x 11
40501	RF 38	PH 955	40E	6 x 1/2 x 17 1/4 (3)
40502	RF 38	PH 955	40E	6 x 1/2 x 11 7/8
40503	RF 38	BE 88B	40E	6 x 1/2 x 11 7/8
40504	RF 38	BE 88B	40E	5 x 1/2 x 11 5/16
40505D	RF 38	BE 88B	39E	4 x 1/2 x 5 11/16
40506	RF 38	BE 88B	40E	4 x 1/2 x 5 (2)
40507	RF 38	PH 8150	40E	6 x 1/2 x 8
40700	RF 38	MAN 4600	40E	7 1/2 x 3/4 x 14 1/4
40700KL	RF 38	MAN 4600	35E	5 x 3/8 x 5 3/4 (2)
41500	RF 38	PH 1055	42N	6 x 1/2 x 10
41501D	RF 38	NW-80D, 85D, 95D	35E	5 x 3/8 x 5 3/4 (2)
41501RD	RF 38	NW-80D, 85D, 95D	35E	5 x 3/8 x 5 3/4 (2)
41502	RF 38	PH 955	41E	7 1/2 x 1/2 x 12 3/16
42400D	RF 38	MAN 3000	35E	5 x 3/8 x 5 3/4 (2)
42401	RF 38	MAN 3000	42E	4 x 3/8 x 14 1/2
42402	RF 38	MAN 3000	42E	4 1/2 x 3/8 x 14 1/2
42403	RF 38	OHIO	42E	6 x 3/8 x 17 1/2
42404	RF 38	MAN 3000	42E	4 1/2 x 3/8 x 14 1/2
42405D	RF 38	MAN 3000	26E	6 x 3/8 x 14 7/8
42500	RF 38	LB 408	44E	5 1/2 x 1/2 x 15 1/8
42501D	RF 38	BE 38B	26E	6 x 3/8 x 14 7/8
42502	RF 38	LIMA 1250	43N	4 1/2 x 1/2 x 9 1/2
42503D	RF 38	BE-38B	26E	6 x 3/8 x 14 7/8
43600D	RF 38	AHD-900	26E	6 x 3/8 x 14 7/8
44500	RF 38	AHD-900	44E	6 x 3/8 x 15(6) RF38
44500D	RF 38	AHD-900	26E	6 x 3/8 x 14 7/8
44501D	RF 38	BE-54B	26E	6 x 3/8 x 14 7/8
44502D	RF 38	BE-71B	26E	6 x 3/8 x 14 7/8
44504	RF 38	NW-9570	44E	5 x 1/2 x 10 1/2

NON-ASBESTOS INDUSTRIAL SETS

MODEL	MAT.	OEM #	DRUM DIAMETER	SIZE
44506	RF 38	NW 950	44E	5 x 1/2 11 1/2
44600	RF 38	NW 9570	44E	5 x 5/5 x 10 1/2
44900	RF 38	LIMA 2400	45N	5 x 3/4 x 10 5/8
45400	RF 38	KOCH 605	45E	4 x 3/8 x 14 9/16
45500D	RF 38	BE-88B	44N	6 x 5/8 x 6 1/2
45900D	RF 38	LIMA 2400	44N	6 x 5/8 x 6 1/2
45900KL	RF 34	LIMA 2400	44N	6 x 5/8 x 6 1/2
46500D	RF 38	AHD 700	44N	6 x 5/8 x 6 1/2
46500D	RF 34	AHD 700	44N	6 x 5/8 x 6 1/2
46501D	RF 38	AHD 840	44N	6 x 5/8 x 6 1/2
46501D	RF 34	AHD 840	44N	6 x 5/8 x 6 1/2
46502	RF 38	MAN 3900	46E	6 x 1/2 x 16 1/4
46504D	RF 34	AHD-700	44N	6 x 5/8 x 6 1/2
46603KL	RF 38	MAN 3900	44N	6 x 5/8 x 6 1/2
46800KL	RF 38	BE 62B	44N	6 x 5/8 x 6 1/2
47500D	RF 38	NW 190	44N	6 x 5/8 x 6 1/2
48500D	RF 38	BE 71B	44N	6 x 5/8 x 6 1/2
48600	RF 38	BE 61B	48E	6 x 5/8 x 14 3/8
48601	RF 38	NW 80, 95	48E	5 x 5/8 x 11 7/8
48602D	RF 38	BE 61B	44N	6 x 5/8 x 6 1/2
48603D	RF 38	MAN 4600	44N	6 x 5/8 x 6 1/2
48603D	RF 34	MAN 4600	44N	6 x 5/8 x 6 1/2
48604	RF 34	MAN 4600	48E	5 x 5/8 x 11 7/8
48604D	RF 38	MAN 4600	44N	6 x 5/8 x 6 1/2
48605D	RF 38	BE 65B	44N	6 x 5/8 x 6 1/2
48700KL	RF 38	MAN 4600	44N	6 x 5/8 x 6 1/2
48701KL	RF 38	MAN 4600	44N	6 x 5/8 x 6 1/2
48704	RF 38	PH 1025, 1055	48E	8 x 3/4 x 15 3/4
50500	RF 38	LIMA 1250	50E	6 x 1/2 x 9 3/4
51500	RF 38	MAR 111	52N	5 x 1/2 x 7 1/2
51500D	RF 38	MAR 111	44N	6 x 5/8 x 6 1/2
51500	RF 34	MAR 111	52N	5 x 1/2 x 7 1/2
51501	RF 38	MAR 111	52N	8 x 1/2 x 12 3/8
52700KL	RF 34	MAN 4600	44N	6 x 5/8 x 6 1/2
52701KL	RF 34	MAN 4600	44N	6 x 5/8 x 6 1/2
52800KL	RF 34	MAN 4600	44N	6 x 5/8 x 6 1/2
52900KL	RF 34	MAN 4600	44N	6 x 5/8 x 6 1/2
53500	RF 38	PH 6250	53E	8 x 1/2 x 12 1/2
54900	RF 38	BE-MON 6160	54E	6 x 1 1/8 x 8 1/4
56500	RF 38	KOEHRING	56E	6 x 1/2 x 12 5/16
56501	RF 38	BE-88B	56E	6 x 1/2 x 12 5/16
56600	RF 38	BE-88B	56E	6 x 1/2 x 12 5/16

NON-ASBESTOS INDUSTRIAL SETS

MODEL	MAT.	OEM #	DRUM DIAMETER	SIZE
56600KL	RF 38	BE-88B	44N	6 x 5/8 x 6 1/2
56700	RF 38	NW-180, 190	56E	6 x 1/2 x 12 5/16
56700D	RF 38	NW-180, 190	44N	6 x 5/8 x 6 1/2
56701D	RF 38	PAGE 721	44N	6 x 5/8 x 6 1/2
56702D	RF 38	PAGE 725	44N	6 x 5/8 x 6 1/2
56704D	RF 38	BE 88B	44N	6 x 5/8 x 6 1/2
57600D	RF 38	AHD 900	44N	6 x 5/8 x 6 1/2
57701	RF 34	LIMA 2400	57E	6 x 3/4 x 10 3/8
58600	RF 38	NW 180D	58E	6 x 5/8 x 12 1/4
58700	RF 38	NW 180D	58E	6 x 5/8 x 12 1/4
58700RD	RF 38	NW 180D	44N	6 x 5/8 x 6 1/2
58700BD	RF 38	NW 180D	44N	6 x 5/8 x 6 1/2
60500D	RF 38	MAR 111	44N	6 x 5/8 x 6 1/2
60501D	RF 38	MAR 111	44N	6 x 5/8 x 6 1/2
60700KL	RF 38	MAR 111	44N	6 x 5/8 x 6 1/2
61700D	RF 38	PAGE 725	44N	6 x 5/8 x 6 1/2
64904D	RF 38	BE 6160	60E	8 x 3/4 x 12
65000	RF 38	BE 6160	65E	6 x 1 1/8 x 8 5/16
65001	RF 38	BE 6160	65E	6 x 1 1/8 x 8 5/16
66700D	RF 38	MAR 183	60E	8 x 3/4 x 12
66701D	RF 38	MAR 184	60E	8 x 3/4 x 12
66900KL	RF 38	LIMA 2000	60E	8 x 3/4 x 12
68700D	RF 38	MAR 7400	60E	8 x 3/4 x 12
68702D	RF 38	PAGE 721, 726	60E	8 x 3/4 x 12
68901KL	RF 38	LIMA 2400	60E	8 x 3/4 x 12
68901KL	RF 34	LIMA 2400	60E	8 x 3/4 x 12
68903	RF 38	BE 6160	68E	10 x 1 1/8 x 10
68905KLX	RF 12/38	LIMA 2400	60E	8 x 3/4 x 12
70800KL	RF 38	MAR 183, 184	70E	12 x 7/8 x 11 7/8
70801KL	RF 38	MAR 184	70E	9 1/2 x 7/8 x 11 7/8
70900KL	RF 38	MAR 184	70E	12 x 1 x 11 7/8
70901KL	RF 38	MAR 184	70E	9 1/2 x 1 x 11 7/8
78000KL	RF 38	PAGE 725	77E	12 x 1 1/4 x 8
78002D	RF 38	BEMON 9W	77E	12 x 1 1/4 x 8
80003D	RF 38	BEMON 9W	77E	12 x 1 1/4 x 8
80004D	RF 41	WASH	77E	12 x 1 1/4 x 8
80004D	RF 41	WASH	77E	12 x 1 1/4 x 8
82800D	RF 38	MAR 7400	77E	12 x 1 1/4 x 8
84000D	RF 38	MAR 7400	77E	12 x 1 1/4 x 8
84000KL	RF 38	MAR 7400	77E	12 x 1 1/4 x 8
84003D	RF 38	BEMON9W	77E	12 x 1 1/4 x 8
84004D	RF 34	BEMON 450-480	77E	12 x 1 1/4 x 8

NON-ASBESTOS INDUSTRIAL SETS

MODEL	MAT.	OEM #	DRUM DIAMETER	SIZE
90000D	RF 38	MAR 7400	77E	12 x 1 x 1 1/4 x 8
90000KL	RF 38	MAR 7400	77E	12 x 1 x 1 1/4 x 8
95000D	RF 34	BEMON-450W-480	77E	12 x 1 x 1 1/4 x 8

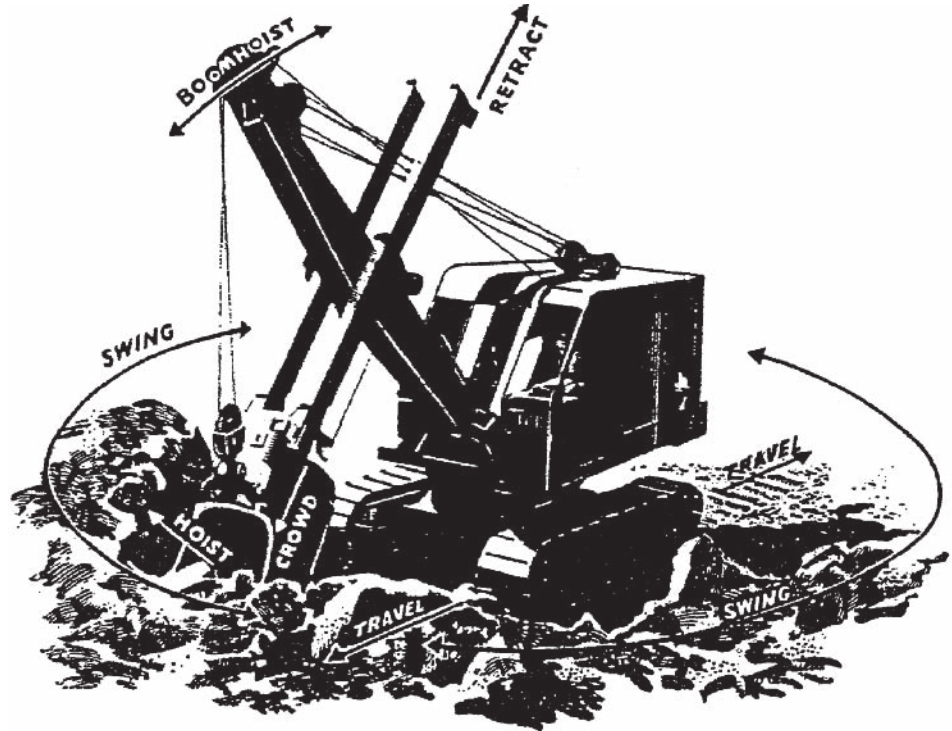
NON-ASBESTOS INDUSTRIAL SETS (Facings)

SET #	OEM #
F-238D	
F-238	N.W. ENG
F-904	N.W. ENG
F-1625	N.W. ENG
F-1930	N.W. ENG
F-1941	N.W. ENG
F-1941D	N.W. ENG
F-2680D	N.W. ENG
F-18150	MANITOWOC
F-22456	N.W. ENG
F-27300	MANITOWOC
F-31180D	N.W. ENG
(CONE SEGMENTS)	
C42550D	P&H
C44550D	P&H
C50500	P&H
GEAR TOOTH FACINGS	
GT14801	UNIT CRANE
GT14802	UNIT CRANE

For a more details please see our Crane Shovel & Draglines catalog
http://www.scanpac.com/cm/pdfs/ScanPac_Cranes_Shovels_Web.pdf

FRICTION MATERIAL LOCATION GUIDE

To properly identify the type, of friction used on various bands and clutches, it is necessary to understand the function each performs. The basic mechanism in all cabs is the same regardless of the type of boom used. The driving power may be gas, diesel, electric or steam. Brakes may be internal expanding or external contracting. Clutches may be band type or facing. In most cases they are known by the duty they perform. A band type clutch is known as the "friction"; the brake as the "brake".



SWING FRICTIONS:

These frictions, often called swing clutches, are used to rotate the super-structure of shovels, cranes and draglines to any desired working position.

They may be of the external contracting or internal expanding band type; internal expanding self-energizing shoe type; single or double cone construction; or disc type. Since the digging cycle of all modern machines has been materially speeded up, resulting in severe usage, swing frictions are relined more frequently than other frictions on a machine.

SWING BRAKE:

The application of brakes to hold super-structures in position has never been very successful except on light equipment. On some of the smaller machines, automatic brakes have proved to be fairly successful. In most operations when swinging to right or left of the swinging motion must be stopped by using the opposite swing friction.

HOIST FRICTION:

The hoist friction is the large power clutch used for hoisting the bucket when digging and then lifting the loaded bucket so that it is free to swing. The friction, either of the internal expanding or external contracting band type, may be operated by manually controlled levers or by hydraulic, air, vacuum or mechanical boosters.

HOIST BRAKE

The hoist brake, on the same shaft as the hoist friction, is used to hold the spooling drum and bucket in a definite position, particularly while swinging. The brake is usually an external contracting band type.

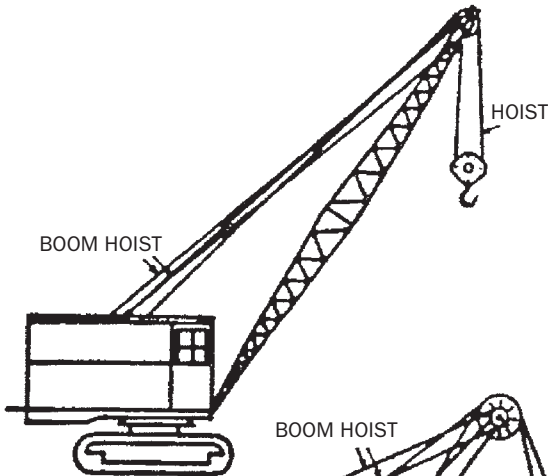
BOOM FRICTION

A small independent friction which is used for raising the booms to suit digging conditions. Since this friction is infrequently used, the frictional material problem is of minor importance.

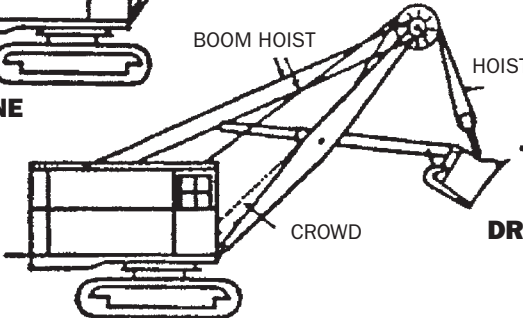
BOOM BRAKE:

In conjunction with the boom hoist friction, there is a locking brake which simply holds the hoist in position. This brake is of the external contracting band type.

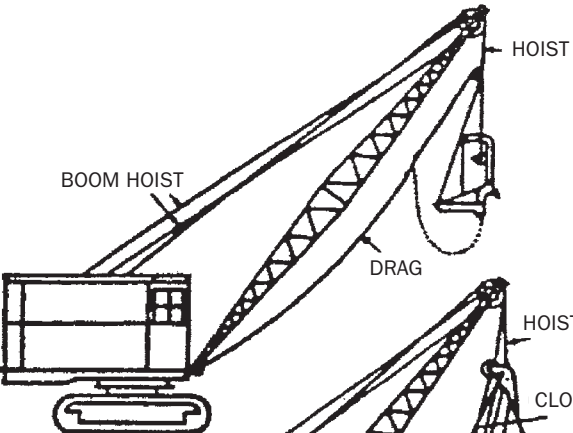
TYPES OF EQUIPMENT



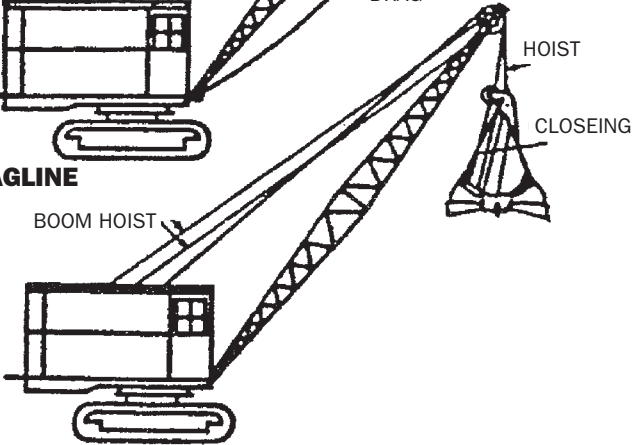
CRANE



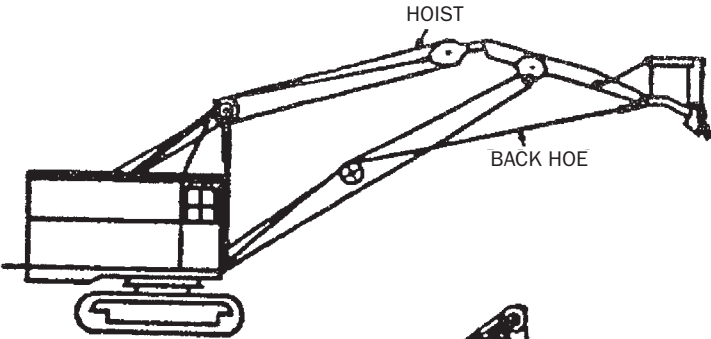
SHOVEL



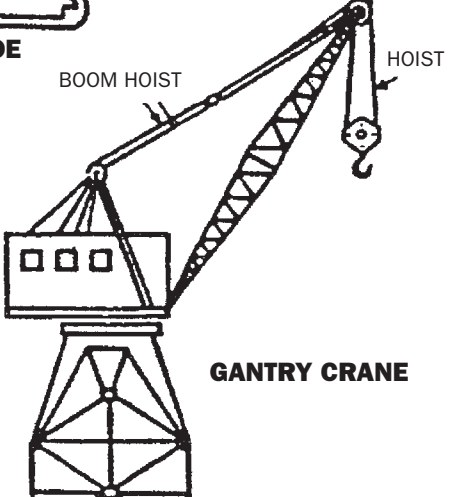
DRAGLINE



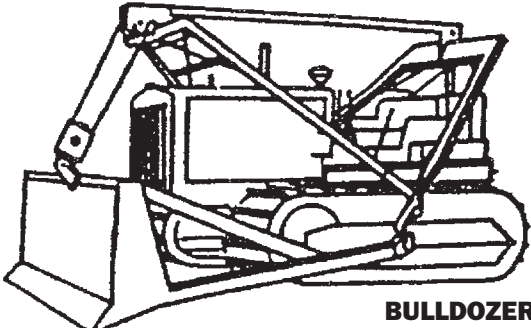
CLAMSHELL



BACK HOE



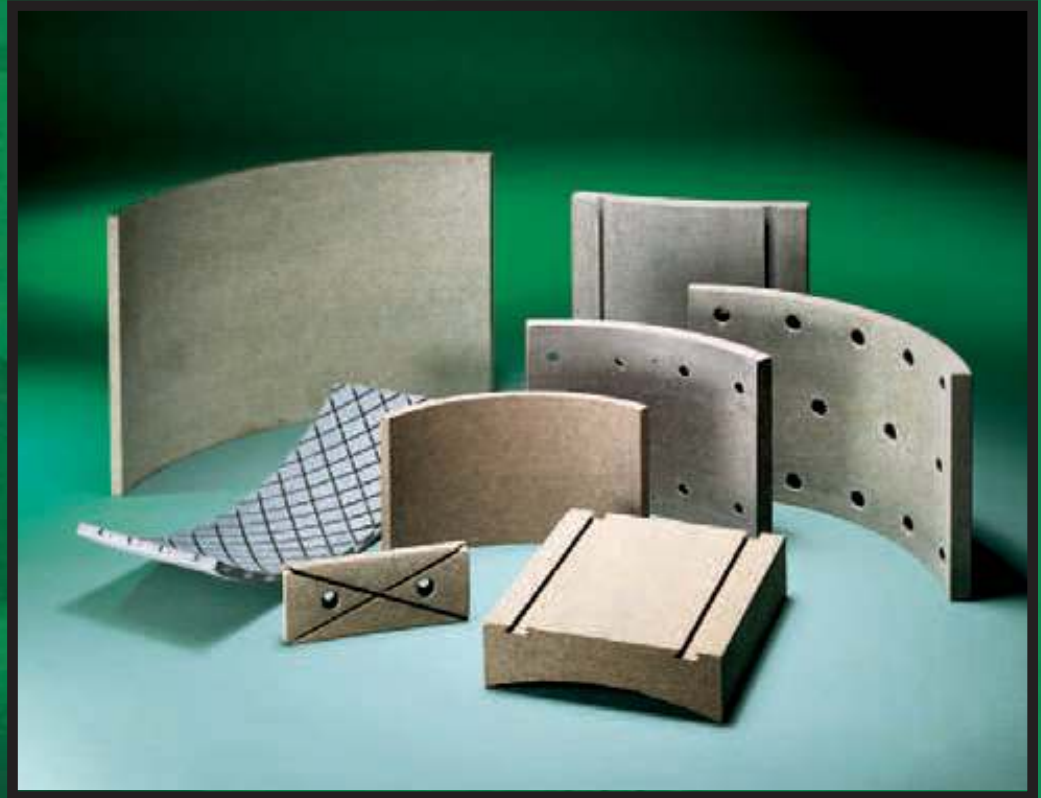
GANTRY CRANE



BULLDOZER



Non-Asbestos Industrial Friction Materials



**OVERHEAD
CRANES LININGS**

OVERHEAD CRANES

Manufactured by:
SCAN-PAC MFG., INC.

N84 W13510 Leon Rd. • Menomonee Falls, WI 53051
Phone: 262.255.2525 • Fax: 262.255.2528
Email: sales@scanpac.com • website: www.scanpac.com

NON-ASBESTOS OVERHEAD CRANE LININGS

Part No.	Mat'l	Thick	Width	Long Arc	Drum Dia	# Holes	Manufacturer	Ind #
052-2606	RF34	0.250	2.75	4.50	5	0		
052-2606	RF38	0.250	2.75	4.50	5	0		
062-3010	RF38	0.250	3.00	5.25	6	0		
062-3010	RF34	0.250	3.00	5.25	6	0		
062-3205	RF38	0.250	3.25	4.93	6	0		
063-3004	RF34	0.250	3.00	4.00	6	0		
064-3038	RF38	0.380	3.00	5.31	6	0	WAGNER	
064-3038D	RF38	0.380	3.00	5.31	6	6	WAGNER	
064-4010	RF38	0.380	4.00	5.25	6	0		
072-3015	RF38	0.500	3.00	6.50	7	0		
072-3038D	RF38	0.250	3.00	2.88	7	4		
074-4014D	RF38	0.380	4.00	6.00	7	6		
082-3002D	RF38	0.250	3.00	3.25	8	4	SQUARE D	
082-3016	RF38	0.250	3.00	6.75	8	0	CUTLER HAMMER	
082-3016	RF34	0.250	3.00	6.75	8	0	CUTLER HAMMER	
082-3023	RF38	0.250	3.00	8.50	8	0		
082-3040	RF38	0.250	3.00	6.63	8	0		
082-3040D	RF38	0.250	3.00	6.63	8	8	HARNISCHFEGER	
082-3041	RF38	0.250	3.00	6.88	8	0	WESTINGHOUSE	22
082-3041	RF34	0.250	3.00	6.88	8	0	WESTINGHOUSE	22
082-3042	RF38	0.250	3.00	5.38	8	0	SQUARE D	
082-3042	RF34	0.250	3.00	5.38	8	0		
082-3042D	RF38	0.250	3.00	5.38	8	4	SQUARE D	
082-3420	RF38	0.250	3.50	7.75	8.5	0		
082-5210	RF38	0.250	3.00	5.25	8	0	WESTINGHOUSE	
082-5210D	RF38	0.250	3.00	5.25	8	4	WESTINGHOUSE	
083-3016	RF38	0.313	3.00	6.75	8	0		
084-3038	RF38	0.375	3.00	6.00	8	0	GENERAL ELEC.	
084-3038D	RF38	0.375	3.00	6.00	8	8	GENERAL ELEC.	
084-3044D	RF38	0.375	3.00	7.06	8	8	WAGNER	
084-3049	RF38	0.375	3.00	6.63	8	0	GENERAL ELEC.	
084-3416	RF38	0.375	3.50	6.75	8	0		
084-3423	RF38	0.375	3.50	8.50	8	0		
093-3438	RF38	0.313	3.50	3.72	9.5	0	SQUARE D	
093-3438D	RF38	0.313	3.50	3.72	9.5	4	SQUARE D	
094-4038	RF38	0.375	4.00	7.63	9	0	HARNISCHFEGER	
094-4038	RF34	0.375	4.00	7.63	9	0	HARNISCHFEGER	
102-3039	RF38	0.250	3.00	8.38	10	0	CUTLER HAMMER	23
102-4044	RF38	0.250	4.00	9.13	10	0	GENERAL ELEC.	232
103-3440	RF38	0.313	3.50	4.13	10	0	SQUARE D	
103-3440D	RF38	0.313	3.50	4.13	10	4	SQUARED	
103-3445D	RF38	0.313	3.50	6.63	10	6		
103-3450D	RF38	0.313	3.50	7.63	10	8	SQUARE D	

NON-ASBESTOS OVERHEAD CRANE LININGS

Part No.	Mat'l	Thick	Width	Long Arc	Drum Dia	# Holes	Manufacturer	Ind #
103-3515	RF38	0.313	3.50	6.50	10	0		
103-3515D	RF38	0.313	3.50	6.50	10	4		
103-4020	RF38	0.313	4.00	7.75	10	0		
104-3422	RF38	0.375	3.50	8.25	10	0	CLARK	
104-3422D	RF38	0.375	3.50	8.25	10	8	CLARK	
104-3423	RF38	0.375	3.50	8.50	10	0	CUTLER HAMMER	590
104-3423	RF34	0.375	3.50	8.50	10	0	CUTLER HAMMER	590
104-3442	RF34	0.375	3.50	8.25	10	6		
104-3442D	RF38	0.375	3.50	8.25	10	6	WESTINGHOUSE	
104-3443	RF38	0.375	3.50	7.44	10	0		
104-3445	RF38	0.375	3.50	6.63	10	0		
104-3445D	RF38	0.375	3.50	6.63	10	6		
104-3446	RF38	0.375	3.50	8.38	10	0	HARNISCHFEGER	
104-3446D	RF38	0.375	3.50	8.38	10	6	HARNISCHFEGER	
104-4022	RF34	0.375	4.00	8.25	10	0	WESTINGHOUSE	
104-4022	RF38	0.375	4.00	8.25	10	0	WESTINGHOUSE	
104-4024	RF38	0.375	4.00	8.75	10	0		
104-4024	RF34	0.375	4.00	8.75	10	0		
104-4444	RF38	0.375	4.50	9.13	10	0	WESTINGHOUSE	
104-5022	RF38	0.375	5.00	8.50	10	0		
105-3423	RF38	0.500	3.50	8.50	10	0		
105-4023	RF38	0.500	4.00	8.50	10	0	WAGNER	286
105-4023	RF34	0.500	4.00	8.50	10	0	WAGNER	286
105-4023D	RF38	0.500	4.00	8.50	10	8	WAGNER	
114-4025	RF38	0.375	4.00	9.00	11	0		
114-4426	RF38	0.375	4.50	9.25	11	0	HARNISCH FEGER	
114-4426D	RF38	0.375	4.50	9.25	11	6	HARNISCH FEGER	
114-4426D	RF34	0.375	4.50	9.25	11	6	HARNISCHFEGER	
114-5029	RF38	0.375	5.00	10.00	11	0	GENERAL ELEC.	
117-3040	RF38	0.750	3.00	13.00	11	0		
117-5046	RF38	0.750	5.00	12.06	11	0		
123-3240	RF38	0.313	3.25	14.75	12.5	0		
124-4038	RF38	0.375	4.00	9.88	12	0		
124-4424	RF38	0.375	4.50	12.75	12	0		
124-6029	RF38	0.375	6.00	10.00	12	0		
132-5029	RF38	0.250	5.00	10.00	13	0		
132-5036	RF38	0.250	5.00	11.75	13	0	GENERAL ELEC.	233
134-4008	RF38	0.375	4.00	4.75	13.5	0		
134-4008D	RF38	0.375	4.00	4.75	13.5	6		
134-5040	RF38	0.375	5.00	10.63	13	0	WESTINGHOUSE	65
134-5421	RF38	0.375	5.50	8.00	13	0		
134-5421D	RF38	0.375	5.50	8.00	13	12		
134-5431	RF34	0.375	5.50	10.50	13	0	CUTLER HAMMER	

NON-ASBESTOS OVERHEAD CRANE LININGS

Part No.	Mat'l	Thick	Width	Long Arc	Drum Dia	# Holes	Manufacturer	Ind #
134-5431	RF38	0.375	5.50	10.50	13	0	CUTLER HAMMER	589DC
134-5431D	RF38	0.375	5.50	10.50	13	12	CUTLER HAMMER	589DC
134-5432	RF34	0.375	5.50	10.75	13	0	HARNISCHFEGER	
134-5432	RF38	0.375	5.50	10.75	13	0	HARNISCH FEGER	191
134-5432D	RF38	0.375	5.50	10.75	13	8		
134-5435	RF38	0.375	5.50	11.50	13	0		
134-5435	RF34	0.375	5.50	11.50	13	0		
134-5438D	RF38	0.375	5.50	5.44	13	6		
134-5441	RF38	0.375	5.50	8.19	13	0		
134-5632	RF38	0.375	5.75	10.75	13.5	0		
134-5639	RF38	0.375	5.75	11.13	13.5	0		
134-6033	RF38	0.375	6.00	11.00	13	0	HARNISCHFEGER	
135-3438	RF38	0.500	3.50	5.44	13	0		
135-4211	RF38	0.500	4.25	5.50	13.25	0	SQUARE D	8DC
135-4211D	RF38	0.500	4.25	5.50	13.25	4	SQUARE D	504
135-5212	RF38	0.500	5.25	5.75	13	0	WAGNER	
135-5212D	RF38	0.500	5.25	5.75	13	6	WAGNER	
135-5233	RF38	0.500	5.25	11.00	13	0		
135-5233D	RF38	0.500	5.25	11.00	13	8		
135-5238	RF38	0.500	5.25	5.44	13	0	SQUARE D	
135-5238D	RF38	0.500	5.25	5.44	13	6	SQUARE D	
135-5424	RF38	0.438	5.50	8.75	13	0	SQUARE D	
135-5424D	RF38	0.438	5.50	8.75	13	8	SQUARE D	
135-5432	RF34	0.500	5.50	10.75	13	0	CLARK	
135-5432	RF38	0.500	5.50	10.75	13	0	CLARK	
135-5432D	RF38	0.500	5.50	10.75	13	12	CLARK	
135-5433	RF38	0.500	5.50	11.00	13	0		
135-5438	RF38	0.500	5.50	5.44	13	0	SQUARE D	
135-5438D	RF38	0.500	5.50	5.44	13	6	SQUARE D	
135-5439	RF38	0.500	5.50	9.83	13	0	GENERAL ELEC.	
135-5440	RF38	0.500	5.50	10.63	13	0		
135-5440D	RF38	0.500	5.50	10.63	13	12	SQUARE D	
135-5440D	RF34	0.500	5.50	10.63	13	12	SQUARE D	
135-5444	RF38	0.500	5.50	10.62	13	0	GENERAL ELEC.	
135-6042	RF38	0.500	6.00	11.13	13	0		
142-6033	RF38	0.250	6.00	11.00	14	0		
144-4438	RF38	0.375	4.50	11.63	14	0	CUTLER HAMMER	
144-4443	RF34	0.375	4.50	13.00	14	0		
144-5035	RF38	0.375	5.00	11.50	14	0		
144-5439	RF38	0.375	5.50	10.69	14	0		
144-6038	RF38	0.375	6.00	11.63	14	0	SHAWBOX	70
144-6444	RF38	0.375	6.50	13.31	14	0		
145-4438	RF38	0.500	4.50	11.63	14	0	CLARK	501

NON-ASBESTOS OVERHEAD CRANE LININGS

Part No.	Mat'l	Thick	Width	Long Arc	Drum Dia	# Holes	Manufacturer	Ind #
145-6036	RF34	0.500	6.00	11.75	14	0		
145-6036	RF38	0.500	6.00	11.75	14	0		
145-6036D	RF38	0.500	6.00	11.75	14	8	WAGNER	
145-6036D	RF34	0.500	6.00	11.75	14	8	WAGNER	
145-6041	RF38	0.500	6.00	11.38	14	0		
154-6438	RF38	0.500	6.50	13.63	15	0		
164-6050	RF38	0.375	6.00	13.63	16	0	CUTLER HAMMER	25
164-6441	RF38	0.375	6.50	13.25	16	0	CUTLER HAMMER	
164-6441	RF34	0.375	6.50	13.25	16	0	CUTLER HAMMER	624
164-6441D	RF38	0.375	6.50	13.25	16	18	CUTLER HAMMER	
164-6448	RF38	0.375	6.50	13.38	16	0		
164-6451	RF38	0.375	6.50	12.94	16	0		
164-6454	RF34	0.375	6.50	10.25	16	0		
164-6454	RF38	0.375	6.50	10.25	16	0		
164-7042	RF38	0.375	7.00	13.00	16	0	WESTINGHOUSE	66
165-4029	RF38	0.500	4.00	10.00	16	0		
165-4442	RF38	0.500	4.50	13.00	16	0		
165-6442	RF38	0.500	6.50	13.00	16	0	GENERAL ELEC.	
165-6443	RF38	0.500	6.50	11.94	16	0	GENERAL ELEC.	
165-6445	RF38	0.500	6.50	13.25	16	0		
165-6448	RF34	0.500	6.50	13.38	16	0	HARNISCH FEGER	
165-6448	RF38	0.500	6.50	13.38	16	0	HARNISCH FEGER	
165-6449	RF38	0.500	6.50	12.75	16	0		
165-6459D	RF38	0.500	6.50	10.56	16	8		
165-8052	RF38	0.500	8.00	6.00	16	0		
166-6416D	RF38	0.625	6.50	6.75	16	6	SQUARE D	
166-6438D	RF38	0.625	6.50	13.10	16	12	CLARK	
166-6438D	RF34	0.625	6.50	13.10	16	12		
166-6440	RF38	0.625	6.50	6.36	16	0		
166-6440	RF34	0.625	6.50	6.36	16	0		
166-B456	RF38	0.563	6.50	10.63	16	0		
166-6456D	RF38	0.563	6.50	10.63	16	8		
167-6041	RF38	0.750	6.00	13.75	16	0	SHAWBOX	181
176-6238D	RF38	0.625	6.25	7.09	17	6	SQUARE D	9
184-6043	RF38	0.375	6.00	14.75	18	0	CUTLER HAMMER	26
184-6047	RF38	0.375	6.00	15.13	18	0	SHAWBOX	
184-7044	RF38	0.375	7.00	14.50	18	0	MORGAN	112
185-8043	RF38	0.500	8.00	14.75	18	0	HARNISCHFEGER	
186-6445D	RF38	0.625	6.50	7.38	18	6	CLARK	485
187-8038	RF38	0.750	8.00	15.00	18	0	WAGNER	159
187-8038	RF34	0.750	8.00	15.00	18	0	WAGNER	159
187-8038D	RF34	0.750	8.00	15.00	18	12	WAGNER	
187-8038D	RF38	0.750	8.00	15.00	18	12	WAGNER	288DC

NON-ASBESTOS OVERHEAD CRANE LININGS

Part No.	Mat'l	Thick	Width	Long Arc	Drum Dia	# Holes	Manufacturer	Ind #
194-8438	RF38	0.375	8.50	15.50	19	0	CUTLER HAMMER	596
194-8438D	RF38	0.375	8.50	15.50	19	24	CUTLER HAMMER	
194-8438D	RF34	0.375	8.50	15.50	19	24	CUTLER HAMMER	
195-8038	RF38	0.500	8.00	15.50	19	0	WESTINGHOUSE	67
195-8438	RF34	0.500	8.50	15.50	19	0	HARNISCHFEGER	
195-8438D	RF38	0.500	8.50	15.50	19	14	HARNISCHFEGER	
195-8447	RF38	0.500	8.50	12.19	19	0	WESTINGHOUSE	
195-8447	RF34	0.500	8.50	12.19	19	0	WESTINGHOUSE	
196-8438	RF38	0.625	8.50	15.50	19	0	GENERAL ELEC.	
196-8438	RF34	0.625	8.50	15.50	19	0	GENERAL ELEC.	
196-8438D	RF34	0.625	8.50	15.50	19	0	GENERAL ELEC.	
196-8441D	RF38	0.625	8.50	7.5876	19	9	CLARK	
196-8444	RF38	0.625	8.50	7.88	19	0		
196-8444D	RF38	0.625	8.50	7.88	19	9	SQUARE D	
196-8444D	RF34	0.625	8.50	7.88	19	9	SQUARE D	
196-8445	RF38	0.625	8.50	14.19	19	0	GENERAL ELEC.	
96-8446D	RF38	0.625	8.50	12.63	19	10		
204-8038	RF38	0.375	8.00	16.00	20	0	MORGAN	113
205-8438	RF38	0.500	8.25	16.00	20	0		
206-8043	RF38	0.625	8.00	16.75	20	0		183
214-7039	RF38	0.375	7.00	17.38	21	0	CUTLER HAMMER	27
215-7046	RF34	0.500	7.00	13.50	21	0		
215-9443	RF38	0.500	9.50	17.25	21	0	HARNISCHFEGER	
216-7038	RF38	0.625	7.00	8.63	21	0	CLARK	502
224-8438	RF38	0.375	8.50	15.50	22	0		
234-0134	RF38	0.375	11.00	18.75	23	0	CUTLER HAMMER	
234-0134	RF34	0.375	11.00	18.75	23	0	CUTLER HAMMER	
234-0148	RF38	0.375	11.00	16.00	23	0		
235-0143	RF38	0.500	11.00	18.75	23	0		
235-0146	RF38	0.500	11.00	14.50	23	0	WESTINGHOUSE	
235-0147	RF38	0.500	11.00	18.00	23	0	WESTINGHOUSE	
235-0155	RF34	0.500	11.00	14.75	23	0		
235-9043	RF38	0.500	9.00	18.75	23	0		
236-0141	RF38	0.625	11.00	17.00	23	0	GENERAL ELEC.	
236-0143	RF38	0.625	11.00	18.75	23	0	GENERAL ELEC.	
236-8027D	RF38	0.625	11.00	9.50	23	10	SQUARE D	10DC
236-8038	RF38	0.625	8.00	9.44	23	0		
237-0119	RF38	0.750	11.00	7.50	23	0	SQUARE D	
237-0119D	RF38	0.750	11.00	7.50	23	8	SQUARE D	
237-0139D	RF38	0.750	11.00	6.20	23	6	CLARK	
237-0140	RF38	0.750	11.00	9.56	23	0		
237-0140D	RF38	0.750	11.00	9.56	23	12		
237-0143	RF34	0.750	11.00	18.75	23	0		

NON-ASBESTOS OVERHEAD CRANE LININGS

Part No.	Mat'l	Thick	Width	Long Arc	Drum Dia	# Holes	Manufacturer	Ind #
237-0143	RF38	0.750	11.00	18.75	23	0		
237-0144	RF38	0.750	11.00	19.50	23	0		
237-0151D	RF38	0.750	11.00	18.50	23	18	CLARK	
237-0154D	RF38	0.750	11.00	19.25	23	24	SQUARE D	
237-5440D	RF38	0.750	5.44	9.56	23	6	SQUARED	
244-6043	RF38	0.375	6.00	14.00	24	0		
267-1032D	RF38	0.750	10.00	10.75	26	9	SQUARE D	11DC
284-4021	RF38	0.375	4.00	8.00	28.25	0		
304-0437	RF38	0.375	14.00	24.00	30	0		
304-0437	RF34	0.375	14.00	24.00	30	0		
304-6041	RF38	0.375	6.00	24.13	30	0	CUTLER HAMMER	553
304-8042	RF38	0.375	8.00	24.63	30	0	CUTLER HAMMER	20
306-0142	RF38	0.625	14.00	12.31	30	0		
307-0145	RF38	0.750	14.00	12.31	30	0	SQUARE D	
307-0145D	RF38	0.750	14.00	12.31	30	12	SQUARE D	
307-6242D	RF38	0.750	6.19	12.31	30	6	SQUARE D	530DC
307-6742D	RF38	0.750	6.94	12.31	30	6		
307-7042D	RF38	0.750	7.00	12.31	30	6		
444-6438	RF38	0.375	6.50	2.88	44	0		



Non-Asbestos Industrial Friction Materials



GEARTOOTH & INDUSTRIAL FACINGS

Manufactured by:
SCAN-PAC MFG., INC.

N84 W13510 Leon Rd. • Menomonee Falls, WI 53051
Phone: 262.255.2525 • Fax: 262.255.2528
Email: sales@scanpac.com • website: www.scanpac.com

**GEARTOOTH &
INDUSTRIAL FACINGS**

RF 38 GEAR TOOTH FACINGS

SPM#	MAT'L	THK.	I.D.	O.D.	NO. TEETH	NO. SEGS	CLUTCH SIZE	MFG.	MFG./P/N
GT67501	RF38	0.438	2.38	6.75	15	1	5	RUELAND	97006-2105
GT72501	RF38	0.438	3.63	7.25	42	1	6	TWIN DISC	A3507
GT72502	RF38	0.375	3.63	7.25	42	1	6	TWIN DISC	A3507A
GT72503	RF38	0.438	3.63	7.25	42	3	6	TWIN DISC	A3507S
GT72504	RF38	0.438	4.75	7.25	42	3	6	TWIN DISC	4596S
GT72506	RF52	0.438	4.19	7.23	42	1	6	WICHITA	397-11-1
GT72507	RF52	0.438	4.00	7.25	42	1	6	TWIN DISC	A3507D
GT72508	RF52	0.375	4.38	7.25	42	1	6	TWIN DISC	
GT72505	RF38	0.375	4.00	7.25	42	3	6.5	ROCKFORD	CL8645
GT80801	RF38	0.438	4.50	8.08	47	1	7	TWIN DISC	A5436
GT80802	RF38	0.438	4.50	8.08	47	2	7	TWIN DISC	A5436A
GT80803	RF38	0.438	4.50	8.08	47	3	7	TWIN DISC	A5436S
GT72509	RF38	0.250	3.72	7.25	24	1	7.25	STEARNS	8-004-707-00
GT80804	RF38	0.438	4.50	8.08	47	3	7.5	ROCKFORD	CL8786
GT87501	RF38	0.438	5.50	8.75	51	1	8	TWIN DISC	6479
GT87502	RF38	0.438	5.50	8.75	51	2	8	TWIN DISC	6479C
GT87503	RF38	0.438	5.50	8.75	51	3	8	TWIN DISC	6479S
GT87504	RF38	0.375	5.50	8.75	51	3	8	ROCKFORD	CL7039
GT87505	RF34	0.438	5.40	8.70	51	1	8	ROCKFORD	
GT87505	RF52	0.438	5.40	8.70	51	1	8	WICHITA	275-25
GT87506	RF52	0.438	3.75	8.70	51	1	8	WICHITA	
GT87508	RF38	0.438	5.50	8.75	51	1	8	WICHITA	
GT92201	RF38	0.250	3.72	9.25	24	1	9		
GT10701	RF38	0.438	5.50	10.75	63	1	10	TWIN DISC	5878
GT10702	RF38	0.438	5.50	10.75	63	2	10	TWIN DISC	5878D
GT10703	RF38	0.438	5.50	10.75	63	3	10	TWIN DISC	5878S
GT10705	RF38	0.203	7.44	10.75	63	1	10	TWIN DISC	5904
GT10706	RF38	0.203	7.44	10.75	63	2	10	TWIN DISC	5904S
GT10707	RF38	0.438	6.25	10.75	63	3	10	ROCKFORD	CL6952
GT10708	RF38	0.438	6.50	10.75	63	1	10	TWIN DISC	5878B
GT10709	RF38	0.438	6.50	10.75	63	3	10	TWIN DISC	5878B
GT10710	RF38	0.438	3.75	10.75	63	1	10	TWIN DISC	5878M
GT10710	RF52	0.438	3.75	10.75	63	1	10	TWIN DISC	5878M
GT10711	RF38	0.375	5.31	10.00	55	1	10	STEARNS	8-004-206-00
GT10713	RF38	0.438	6.25	10.75	63	1	10	STEARNS	
GT12201	RF38	0.438	6.25	12.25	72	1	11	TWIN DISC	A5579
GT12202	RF38	0.438	6.25	12.25	72	2	11	TWIN DISC	A5579C
GT12203	RF38	0.438	6.25	12.25	72	3	11	TWIN DISC	A5579A
GT12204	RF38	0.250	6.25	12.25	72	1	11	TWIN DISC	A5579G
GT12205	RF38	0.438	8.00	12.25	72	1	11	TWIN DISC	6614
GT12206	RF38	0.438	8.00	12.25	72	2	11	TWIN DISC	6614D
GT12207	RF38	0.438	8.00	12.25	72	3	11	TWIN DISC	6614A
GT12208	RF38	0.438	6.25	12.25	72	3	11.5	ROCKFORD	CL10145
GT12209	RF38	0.438	6.25	12.25	72	4	11.5	ROCKFORD	CL10321
GT12210	RF52	0.500	7.00	12.22	72	1	11	WICHITA	265-4

RF 38 GEAR TOOTH FACINGS

SPM#	MAT'L	THK.	I.D.	O.D.	NO. TEETH	NO. SEGS	CLUTCH SIZE	MFG.	MFG./P/N
GT12211	RF52	0.500	4.25	12.25	72	1	11		
GT14204	RF41	0.250	9.25	14.94	44	1	14	UNIT CRANE	202397A-3
GT14801	RF38	0.625	9.25	14.88	44	1	14	UNIT CRANE	201821
GT14802	RF38	0.625	9.25	14.94	88	1	14	UNIT CRANE	22702A
GT14803	RF38	0.625	9.25	14.88	88	1	14	TWIN DISC	5740
GT14803	RF52	0.625	9.25	14.88	88	1	14	TWIN DISC	5740
GT14804	RF52	0.625	9.50	14.88	88	1	14	WICHITA	4-253-897-000
GT14805	RF38	0.438	9.25	14.88	44	1	14	WICHITA	
GT15101	RF38	0.625	9.25	15.13	59	1	14	TWIN DISC	5659M
GT15102	RF38	0.625	9.75	15.13	59	3	14	TWIN DISC	5659A
GT15103	RF38	0.625	9.25	15.13	59	3	14	TWIN DISC	5659B,J
GT15104	RF38	0.625	9.75	15.13	59	1	14	TWIN DISC	5659C,P
GT15104	RF52	0.625	9.75	15.13	59	1	14	TWIN DISC	5659C,P
GT15105	RF38	0.625	7.00	15.13	59	1	14	TWIN DISC	5659K
GT15106	RF38	0.625	7.00	15.13	59	3	14	TWIN DISC	5659L
GT15107	RF38	0.625	8.38	15.13	59	1	14	ROCKFORD	CL6954
GT15108	RF38	0.625	8.38	15.13	59	3	14	ROCKFORD	CL9927
GT15109	RF52	0.625	9.50	15.13	59	1	14	WICHITA	253-25-2
GT15110	RF38	0.625	9.25	15.13	59	1	14	TWIN DISC	5659D
GT15110	RF52	0.625	9.25	15.13	59	1	14	TWIN DISC	5659D
GT15112	RF52	0.500	9.75	15.13	59	1	14	TWIN DISC	
GT16101	RF38	0.625	9.25	17.16	67	3	16	TWIN DISC	6961C
GT16102	RF38	0.625	9.25	17.16	67	1	16	TWIN DISC	6961A,B
GT16103	RF38	0.625	10.00	17.16	67	1	16	TWIN DISC	6961D
GT16104	RF52	0.625	10.53	17.12	67	1	16	WICHITA	404-25
GT19101	RF38	0.625	12.50	19.13	75	1	18	TWIN DISC	5658
GT19102	RF38	0.625	12.50	19.13	75	2	18	TWIN DISC	5658A
GT19103	RF38	0.625	12.50	19.13	75	3	18	TWIN DISC	5658C
GT19104	RF52	0.625	12.56	19.13	75	1	18	WICHITA	234-25-1
GT19107	RF52	1.005	12.56	19.13	75	1	18	WICHITA	
GT22101	RF38	0.688	12.50	22.16	87	1	21	TWIN DISC	6971A
GT22102	RF38	0.688	12.50	22.16	87	3	21	TWIN DISC	6971B,S
GT22103	RF52	0.750	14.56	22.13	87	1	21	WICHITA	254-10-1
GT25101	RF38	0.875	14.50	25.16	99	1	24	TWIN DISC	5667A
GT25103	RF38	0.875	14.50	25.16	99	3	24	TWIN DISC	5667B
GT25104	RF38	0.875	17.50	25.16	99	1	24	TWIN DISC	5667C
GT25105	RF52	0.875	14.56	25.07	99	1	24	WICHITA	230-25
GT25106	RF52	0.875	17.50	25.07	99	1	24	WICHITA	230-25-8
GT28101	RF52	0.875	16.25	28.10	111	1	27	WICHITA	4-296-007-000-0
GT31101	RF38	0.875	21.00	31.16	123	1	30	TWIN DISC	8461C
GT31102	RF38	1.250	21.00	31.16	123	1	30	TWIN DISC	8461A
GT31103	RF38	1.250	21.00	31.16	123	3	30	TWIN DISC	8461B
GT31104	RF52	1.250	19.50	31.03	123	1	30	WICHITA	4-231-007-039
GT37101	RF38	1.250	24.00	37.16	147	1	36		
GT37101	RF52	1.250	24.00	37.16	147	1	36		

RF 34 (Non-Asbestos) - CLUTCH SEGMENTS

SP #		O.E.M. #	BLOCKS REQUIRED/ SET
CS1155	L or R	11.5VC500	8
CS1450	L or R	14VC500	8
CS1660	L or R	16VC600	8
CS2060	L or R	20VC600	10
CS2465	L or R	24VC650	12
CS2865	L or R	28VC650	14
CS3365	L or R	33VC650	16
CS3565	L or R	35VC650	18
CS3765	L or R	37VC650	18
CS4265	L or R	42VC650	20
CS1210	L or R	12VC1000	16
CS1410	L or R	14VC1000	16
CS1610	L or R	16VC1000	8
CS2010	L or R	20VC1000	8
CS2410	L or R	24VC1000	10
CS2810	L or R	28VC1000	10
CS3210	L or S	32VC1000	12
CS3812	L or S	38VC1200	12
CS4212	L or S	42VC1200	14
CS4612	L or S	46VC1200	16
CS5212	L or S	52VC1200	36
CS5116	L or S	51VC1600	36
CS6016	L or S	60VC1600	40
CS6616	L or S	66VC1600	44

NOTE 1: L suffix is for lining only sets
R or S suffix is for lining sets with rivets or screws

NOTE 2: If used with copper or bronze water cooled drum use RF 42 material

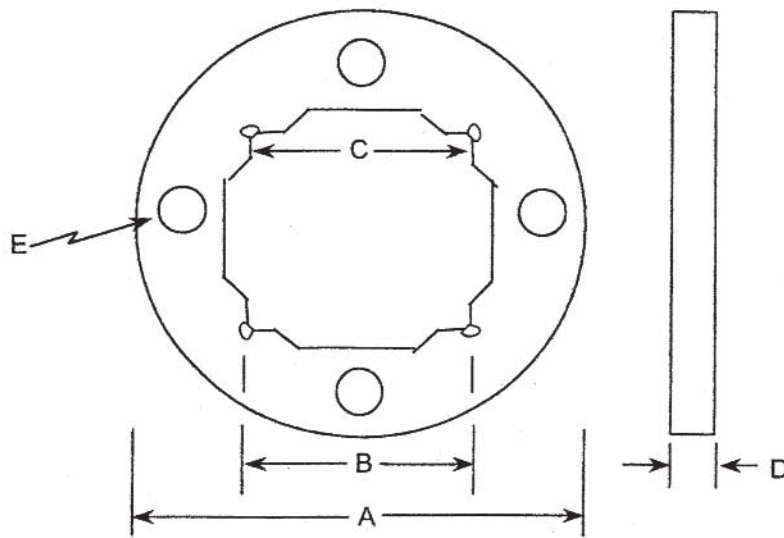
RF 34 (Non-Asbestos) - CLUTCH SEGMENTS

SP #	O.E.M. #	BLOCKS REQUIRED/ SET
CS1647	16E475	14
CS1947	19VE475	12
CS2147	21VE475	14
CS2447	24VE475	16
CS2747	27VE475	16

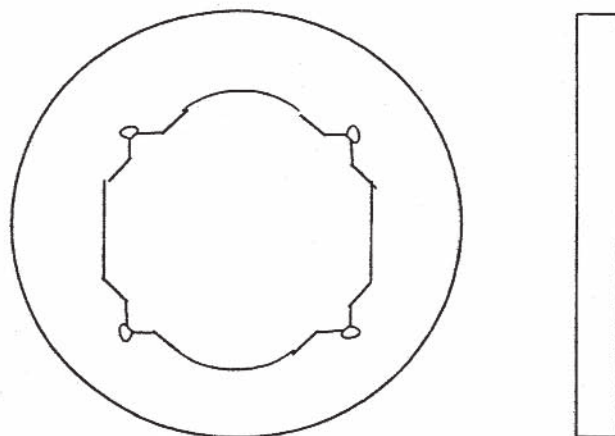
NOTE 1: L suffix is for lining only sets
R or S suffix is for lining sets with rivets or screws

NOTE 2: If used with copper or bronze water cooled drum use RF 42 material

RF 38 SQUARE ID FACINGS



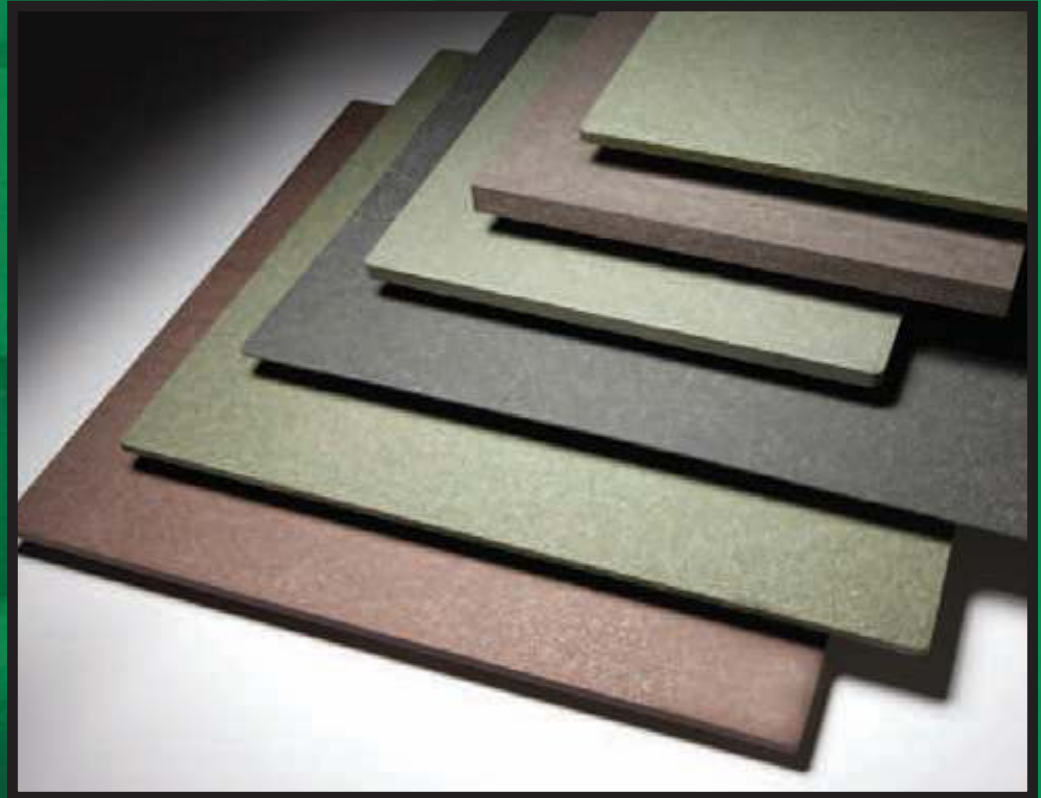
SP-PN	A.	B.	C.	D.	E.
F5001	5.00	1.875	1.75	0.188	
F5001D	5.00	1.875	1.75	.88	1/2 (4)
F7252D	7.25	3.000	2.75	.250	11/16 (4)



SP-PN	A.	B.	C.	D.	E.
F7254	7.25	3.00	2.75	.250	11/16 (4)



Non-Asbestos Industrial Friction Materials



FLAT SHEET FRICTIONS

FLAT SHEET
FRICTIONS

Manufactured by:
SCAN-PAC MFG., INC.

N84 W13510 Leon Rd. • Menomonee Falls, WI 53051
Phone: 262.255.2525 • Fax: 262.255.2528
Email: sales@scanpac.com • website: www.scanpac.com

NON-ASBESTOS FLAT SHEET HEAVY DUTY RIGID MOLDED

20" X 20" SHEET

THICKNESS AVAIL.	RF38	RF12	RF34	RF41	RF42	RF53	RF1005
	1/8"	1/8"	1/8"	1/8"	1/8"	1/8"	1/8"
3/16"	3/16"	3/16"	3/16"	3/16"	3/16"	3/16"	3/16"
1/4"	1/4"	1/4"	1/4"	1/4"	1/4"	1/4"	1/4"
5/16"	5/16"	5/16"	5/16"	5/16"	5/16"	5/16"	5/16"
3/8"	3/8"	3/8"	3/8"	3/8"	3/8"	3/8"	3/8"
1/2"	1/2"	1/2"	1/2"	1/2"	1/2"	1/2"	1/2"
5/8"	5/8"	5/8"	5/8"	5/8"	5/8"	5/8"	5/8"
3/4"	3/4"	3/4"	3/4"	3/4"	3/4"	3/4"	3/4"
7/8"	7/8"	7/8"	7/8"	7/8"	7/8"	7/8"	7/8"
1"	1"	1"	1"	1"	1"	1"	1"
1 1/16"	1 1/16"	1 1/16"	1 1/16"	1 1/16"	1 1/16"	1 1/16"	1 1/16"
1 1/8"	1 1/8"	1 1/8"	1 1/8"	1 1/8"	1 1/8"	1 1/8"	1 1/8"
1 1/4"	1 1/4"	1 1/4"	1 1/4"	1 1/4"	1 1/4"	1 1/4"	1 1/4"
1 1/2"	1 1/2"	1 1/2"	1 1/2"	1 1/2"	1 1/2"	1 1/2"	1 1/2"
1 5/8"	1 5/8"	1 5/8"	1 5/8"	1 5/8"	1 5/8"	1 5/8"	1 5/8"
1 3/4"	1 3/4"	1 3/4"	1 3/4"	1 3/4"	1 3/4"	1 3/4"	1 3/4"

12 3/4" X 15" SHEET

THICKNESS
AVAIL.

1 1/8"
1 1/4"
1 3/8"
1 1/2"
1 3/4"

30" X 30" SHEET

THICKNESS
AVAIL.

RF38	RF52
1/8"	1/8"
5/32"	5/32"
3/16"	3/16"
1/4"	1/4"
5/16"	5/16"
3/8"	3/8"
7/16"	7/16"
1/2"	1/2"

MOLDED FLAT SHEET STOCK MEDIUM DUTY

232 (Non-Asbestos) SEMI-FLEXIBLE, GROUND SURFACE

230 (Non-Asbestos) RIGID, GROUND SURFACE

	20" X 60"	30" X 30"
THICKNESS AVAIL.	1/8"	1/8"
	5/32"	5/32"
	3/16"	3/16"
	1/4"	1/4"
	5/16"	5/16"
	3/8"	3/8"

202 (Non-Asbestos) SEMI-FLEXIBLE, GROUND SURFACE

200 (Non-Asbestos) RIGID, GROUND SURFACE NO METAL

	20" X 60"	30" X 30"
THICKNESS AVAIL.	1/8"	1/8"
	3/16"	3/16"
	1/4"	1/4"

242 or (Non-Asbestos) SEMI-FLEXIBLE, GROUND SURFACE

240 or (Non-Asbestos) RIGID, GROUND SURFACE

	20" X 60"	30" X 30"
THICKNESS	1/8"	1/8"
	3/16"	3/16"
	1/4"	1/4"
	5/16"	5/16"
	3/8"	3/8"

GLASS PLANT and ALUMINUM FLAT PRODUCTS

EEL SLIP AND RF12* MATERIALS ARE BEING USED VERY SUCCESSFULLY IN GLASS PLANTS AND ALUMINUM EXTRUDING PLANTS FOR HANDLING AND MOVING OF HOT MATERIALS.

APPLICATIONS INCLUDE DROP PLATES, PUSHERS BARS, ROLLER DONUTS, EXTRUDER RUN-OUT TABLES ETC.

EXCELLENT REPLACEMENT FOR TRANSITE, GRAPHITE, AND OTHER MATERIALS CURRENTLY BEING USED.

EEL-SLIP FLAT SHEET

1/32 X 20 X 60

1/16 X 20 X 60

3/32 X 20 X 60

1/8 X 20 X 60

3/16 X 20 X 60

1/4 X 20 X 60

3/8 X 20 X 60

1/2 X 20 X 60

GATKE FLAT SHEET

30" WIDE (NOMINAL) X 30" LONG

THICKNESS AVAIL.	112	113	114	397	398
	1/8"	1/8"	1/8"	1/8"	1/8"
3/16"	3/16"	3/16"	3/16"	3/16"	3/16"
1/4"	1/4"	1/4"	1/4"	1/4"	1/4"
5/16"	5/16"	5/16"	5/16"	5/16"	5/16"
3/8"	3/8"	3/8"	3/8"	3/8"	3/8"
7/16"	7/16"	7/16"	7/16"	7/16"	7/16"
1/2"	1/2"	1/2"	1/2"	1/2"	1/2"
5/8"	5/8"	5/8"	5/8"	5/8"	5/8"
3/4"	3/4"	3/4"	3/4"	3/4"	3/4"
1"	1"	1"	1"	1"	1"

30" WIDE (NOMINAL) X 60" LONG

THICKNESS AVAIL.	112	113	114	397	398
	1/8"	1/8"	1/8"	1/8"	1/8"
3/16"	3/16"	3/16"	3/16"	3/16"	3/16"
1/4"	1/4"	1/4"	1/4"	1/4"	1/4"
5/16"	5/16"	5/16"	5/16"	5/16"	5/16"
3/8"	3/8"	3/8"	3/8"	3/8"	3/8"
7/16"	7/16"	7/16"	7/16"	7/16"	7/16"
1/2"	1/2"	1/2"	1/2"	1/2"	1/2"
5/8"	5/8"	5/8"	5/8"	5/8"	5/8"
3/4"	3/4"	3/4"	3/4"	3/4"	3/4"
1"	1"	1"	1"	1"	1"

**GREEN GRIPPER ARAMID (GGA)
MOLDED ROLL STOCK FURNISHED IN 15' COILS**

High Aramid Roll for Long Life and Smooth Friction

**GGA (Non-Asbestos) SEMI-FLEXIBLE,
UNCURED, GROUND SURFACE**

13" WIDE

THICKNESS

1/16"

3/32"

1/8"

3/16"

1/4"

5/16"

3/8"

FURNISHED IN 15' COILS

GREEN GRIPPER ARAMID (GGA) MOLDED FLAT SHEET STOCK

**High Aramid Sheet for Long Life and Smooth Friction*

**GGA (Non-Asbestos) SEMI-FLEXIBLE,
UNCURED, GROUND SURFACE**

20" X 60"

THICKNESS

1/16"

3/32"

1/8"

3/16"

1/4"

5/16"

3/8"

**GGA (Non-Asbestos) RIGID,
CURED, GROUND SURFACE**

20" X 60"

THICKNESS

1/16"

3/32"

1/8"

3/16"

1/4"

5/16"

3/8"

GREEN GRIPPER (Non-Asbestos) WOVEN FLAT SHEET

THICKNESS	SIZE
1/8"	27" x 27"
3/16"	27" x 27"
1/4"	27" x 27"
5/16"	27" x 27"
3/8"	27" x 27"
1/2"	27" x 27"
5/8"	27" x 27"
3/4"	24" x 27"
1"	26" x 27"
1 1/8"	26" x 27"
1 1/4"	26" x 27"



Non-Asbestos Industrial Friction Materials



OILFIELD APPLICATIONS

*For more details please see our Oilfield products catalog -
http://www.scanpac.com/cm/pdfs/ScanPac_Oil_Field_Friction.pdf*

**OILFIELD
APPLICATIONS**

NON-ASBESTOS FRICTION MATERIAL FOR OILFIELD APPLICATIONS

WOVEN

BRAKE BLOCKS DRAWWORKS

Main Drum
Sand Line
Neutral Brake

BRAKE BLOCKS

Crane
Clutch
Anchor Winch
Anchor Windlass
Pump Jack

DRAWWORKS SETS

Drilling - Regular
Drilling - Super Sets
Workover - Regular
Workover - Super Sets
Custom Woven/Molded Combinations Sets

HARDWARE

Brass Screws for Drawworks Sets
Cad Plated Kep-lock Nuts
Brass Keepers
Woven Plugs

WOVEN BRAKE LINING SIZES

1/8" thru 1-1/4" thick
3/4" thru 27" wide
Standard Rolls are 25' in length - Special lengths can be made

MOLDED

GEAR TOOTH FACINGS

Twin Disc
Wichita
Rockford and Many More . . .

CLUTCH BLOCKS

Eaton
National
Others . . .

PLAIN RING

Cathead
Foster
National
Continental Emsco

Tee Head Bolts for Keepers
Nyloc Lock Nuts
Molded Plugs

THEAD AND DRAWWORKS CLUTCH FACINGS

Part #	Thk x ID x OD	Mat'l	# Segs	Holes	OEM Part #	OEM
CONTINENTAL EMSCO						
PR2204	3/8 x 15 x 22	RF38	1	16	6919-0005-00	Continental
PR2704	3/8 x 17 x 27	RF38	1	24	6919-0114-00	Continental
IRI INTERNATIONAL						
PR2604	1/4 x 20 x 26 3/4	RF38	1		114	Cabot-IRI
PR2802	1/4 x 20 x 28 3/4	RF38	1		S5114	Cabot-IRI
PR3202	1/4 x 20 x 32 1/8	230AF	1		E114	Cabot-IRI
PR3644	1/4 x 20 3/8 x 36 3/8	230AF	1		G114	Cabot-IRI
NATIONAL OILWELL						
PR1603	1/4 x 10 x 16	RF38	4	32	627686	National
PR1605	3/8 x 10 x 16	RF38	4	24	627685	National
PR1806	3/8 x 12 x 18	RF38	4	24	627688	National
PR2104	1/4 x 14 x 21	RF38	4		618796	National
PR3604	3/8 x 21 x 1/2 x 36	RF38	4		610627	National
PR4202	3/8 x 26 x 42	RF38	6	18	619284	National
SHAFFER, A VARCO CO. (JOY)						
PR1052	3/16 x 5 x 10	RF38	1	18	280-000-1200	Joy
PR1054	3/8 x 5 x 10	RF38	1	16	362-800-0012	Joy
PR1252	3/16 x 5 3/8 x 12	230AF	1	16	282-000-1200	Joy
PR1254	3/8 x 5 3/8 x 12	RF38	1	16	362-820-0012	Joy
PR1274	3/8 x 7 x 12	RF38	1	17	35-19	Foster
PR1582	3/16 x 8 3/4 x 15 3/4	RF38	1	24	286-000-1200	Joy
PR1584	3/8 x 5 3/4 x 15 3/4	RF38	1	24	362-860-0012	Joy
PR1602*	1/4 x 10 x 15 3/32	RF38	1	33	24-23	Foster

*NOTE: PR1602 furnished as two facings

THEAD AND DRAWWORKS CLUTCH FACINGS

Part #	Thk x ID x OD	Mat'l	# Segs	Holes	OEM Part #	OEM
SHAFFER, A VARCO CO. (JOY)						
PR1604	3/8 x 10 x 16	RF38	1	24	24-19	Foster
PR1606	3/8 x 11 x 16	RF38	1		245-011-1100	Joy
PR1704	3/8 x 11 x 17	RF38	1		245-021-1100	Joy
PR1705	3/8 x 11 x 17	RF38	1		362-450-214	Joy
PR1804	3/8 x 10 x 18	RF38	1	24	15-19	Foster
PR1805	3/8 x 11 x 18	RF38	1		243-000-40	Joy
PR1954	3/8 x 13 1/2 x 19 1/2	RF38	1	21	29-19	Foster
PR2205	3/8 x 16 x 22	RF38	1		18-19	Foster
FAIRBANKS MORSE						
PR0602	3/16 x 3.335 x 6 1/4	RF38	1		E6	Fairbanks Morse
PR9002	.195 x 4 5/16 x 9	RF38	1		E10-9	Fairbanks Morse
PR1042	.195 x 4 5/16 x 10	RF38	1		E10A-10	Fairbanks Morse
TWIN DISC						
PR	3/16 x 5 7/16 x 9 3/4	RF38	1	20	5570	Twin Disc
PR1138	1/8 x 5 1/2 x 11/38	RF38	1	22	5373	Twin Disc
PR4203	3/8 x 28 x 42	RF38	4	28	A6835	Twin Disc

For more details please see our Oilfield products catalog -

http://www.scanpac.com/cm/pdfs/ScanPac_Oil_Field_Friction.pdf



Non-Asbestos Industrial Friction Materials



WOVEN ROLL LININGS

Manufactured by:
SCAN-PAC MFG., INC.

N84 W13510 Leon Rd. • Menomonee Falls, WI 53051
Phone: 262.255.2525 • Fax: 262.255.2528
Email: sales@scanpac.com • website: www.scanpac.com

WOVEN ROLL

GREEN GRIPPER (Non-Asbestos) WOVEN LINING

	1/8	3/16	1/4	5/16	3/8	1/2	5/8	3/4	1	1 1/8	1 1/4
WIDTHS AVAIL.	3/4"	3/4"	3/4"	3/4"	3/4"	3/4"	3/4"	3/4"	3/4"	3/4"	3/4"
	3/4"	3/4"	3/4"	3/4"	3/4"	3/4"	3/4"	3/4"	3/4"	3/4"	3/4"
	1 1/4"	1 1/4"	1 1/4"	1 1/4"	1 1/4"	1 1/4"	1 1/4"	1 1/4"	1 1/4"	1 1/4"	1 1/4"
	1 1/2"	1 1/2"	1 1/2"	1 1/2"	1 1/2"	1 1/2"	1 1/2"	1 1/2"	1 1/2"	1 1/2"	1 1/2"
	1 3/4"	1 3/4"	1 3/4"	1 3/4"	1 3/4"	1 3/4"	1 3/4"	1 3/4"	1 3/4"	1 3/4"	1 3/4"
	2"	2"	2"	2"	2"	2"	2"	2"	2"	2"	2"
	2 1/4"	2 1/4"	2 1/4"	2 1/4"	2 1/4"	2 1/4"	2 1/4"	2 1/4"	2 1/4"	2 1/4"	2 1/4"
	2 1/2"	2 1/2"	2 1/2"	2 1/2"	2 1/2"	2 1/2"	2 1/2"	2 1/2"	2 1/2"	2 1/2"	2 1/2"
	2 3/4"	2 3/4"	2 3/4"	2 3/4"	2 3/4"	2 3/4"	2 3/4"	2 3/4"	2 3/4"	2 3/4"	2 3/4"
	3"	3"	3"	3"	3"	3"	3"	3"	3"	3"	3"
	3 1/2"	3 1/2"	3 1/2"	3 1/2"	3 1/2"	3 1/2"	3 1/2"	3 1/2"	3 1/2"	3 1/2"	3 1/2"
	4"	4"	4"	4"	4"	4"	4"	4"	4"	4"	4"
	4 1/2"	4 1/2"	4 1/2"	4 1/2"	4 1/2"	4 1/2"	4 1/2"	4 1/2"	4 1/2"	4 1/2"	4 1/2"
5"	5"	5"	5"	5"	5"	5"	5"	5"	5"	5"	
5 1/2"	5 1/2"	5 1/2"	5 1/2"	5 1/2"	5 1/2"	5 1/2"	5 1/2"	5 1/2"	5 1/2"	5 1/2"	
6"	6"	6"	6"	6"	6"	6"	6"	6"	6"	6"	
6 1/2"	6 1/2"	6 1/2"	6 1/2"	6 1/2"	6 1/2"	6 1/2"	6 1/2"	6 1/2"	6 1/2"	6 1/2"	
7"	7"	7"	7"	7"	7"	7"	7"	7"	7"	7"	
7 1/2"	7 1/2"	7 1/2"	7 1/2"	7 1/2"	7 1/2"	7 1/2"	7 1/2"	7 1/2"	7 1/2"	7 1/2"	
8"	8"	8"	8"	8"	8"	8"	8"	8"	8"	8"	
8 1/2"	8 1/2"	8 1/2"	8 1/2"	8 1/2"	8 1/2"	8 1/2"	8 1/2"	8 1/2"	8 1/2"	8 1/2"	
9"	9"	9"	9"	9"	9"	9"	9"	9"	9"	9"	
10"	10"	10"	10"	10"	10"	10"	10"	10"	10"	10"	
11"	11"	11"	11"	11"	11"	11"	11"	11"	11"	11"	
12"	12"	12"	12"	12"	12"	12"	12"	12"	12"	12"	
13"	13"	13"	13"	13"	13"	13"	13"	13"	13"	13"	

STANDARD ROLL LENGTH IS 25 FEET - NOMINAL



Non-Asbestos Industrial Friction Materials



MOLDED ROLL

MOLDED ROLL LININGS

Manufactured by:
SCAN-PAC MFG., INC.

N84 W13510 Leon Rd. • Menomonee Falls, WI 53051
Phone: 262.255.2525 • Fax: 262.255.2528
Email: sales@scanpac.com • website: www.scanpac.com

MOLDED ROLL LINING 232 (Non-Asbestos)

WIDTHS AVAIL.	THICKNESS - INCHES					
	5/32	3/16	1/4	5/16	3/8	1/2
	1"	1"	1"	1"	1"	1"
	1 1/4"	1 1/4"	1 1/4"	1 1/4"	1 1/4"	1 1/4"
	1 1/2"	1 1/2"	1 1/2"	1 1/2"	1 1/2"	1 1/2"
	1 3/4"	1 3/4"	1 3/4"	1 3/4"	1 3/4"	1 3/4"
	2"	2"	2"	2"	2"	2"
	2 1/4"	2 1/4"	2 1/4"	2 1/4"	2 1/4"	2 1/4"
	2 1/2"	2 1/2"	2 1/2"	2 1/2"	2 1/2"	2 1/2"
	2 3/4"	2 3/4"	2 3/4"	2 3/4"	2 3/4"	2 3/4"
	3"	3"	3"	3"	3"	3"
	3 1/4"	3 1/4"	3 1/4"	3 1/4"	3 1/4"	3 1/4"
	3 1/2"	3 1/2"	3 1/2"	3 1/2"	3 1/2"	3 1/2"
	4"	4"	4"	4"	4"	4"
	4 1/2"	4 1/2"	4 1/2"	4 1/2"	4 1/2"	4 1/2"
	5"	5"	5"	5"	5"	5"
	5 1/2"	5 1/2"	5 1/2"	5 1/2"	5 1/2"	5 1/2"
	6"	6"	6"	6"	6"	6"
	6 1/2"	6 1/2"	6 1/2"	6 1/2"	6 1/2"	6 1/2"
	7"	7"	7"	7"	7"	7"
	8"	8"	8"	8"	8"	8"
	8 1/2"	8 1/2"	8 1/2"	8 1/2"	8 1/2"	8 1/2"
	9"	9"	9"	9"	9"	9"
	10"	10"	10"	10"	10"	10"
	11"	11"	11"	11"	11"	11"
	12"	12"	12"	12"	12"	12"
	13"	13"	13"	13"	13"	13"

NOTE: 30 FT STANDARD PACKAGE (2-15 FT COILS/PKG)

4-STAR HDM - MOLDED ROLL LINING HEAVY DUTY MOLDED

THICKNESS - INCHES

WIDTHS AVAIL.	3/16	1/4	5/16	3/8	1/2
	1"	1"	1"	1"	1"
1 1/4"	1 1/4"	1 1/4"	1 1/4"	1 1/4"	1 1/4"
1 1/2"	1 1/2"	1 1/2"	1 1/2"	1 1/2"	1 1/2"
1 3/4"	1 3/4"	1 3/4"	1 3/4"	1 3/4"	1 3/4"
2"	2"	2"	2"	2"	2"
2 1/4"	2 1/4"	2 1/4"	2 1/4"	2 1/4"	2 1/4"
2 1/2"	2 1/2"	2 1/2"	2 1/2"	2 1/2"	2 1/2"
2 3/4"	2 3/4"	2 3/4"	2 3/4"	2 3/4"	2 3/4"
3"	3"	3"	3"	3"	3"
3 1/4"	3 1/4"	3 1/4"	3 1/4"	3 1/4"	3 1/4"
3 1/2"	3 1/2"	3 1/2"	3 1/2"	3 1/2"	3 1/2"
3 3/4"	3 3/4"	3 3/4"	3 3/4"	3 3/4"	3 3/4"
4"	4"	4"	4"	4"	4"
4 1/4"	4 1/4"	4 1/4"	4 1/4"	4 1/4"	4 1/4"
4 1/2"	4 1/2"	4 1/2"	4 1/2"	4 1/2"	4 1/2"
4 3/4"	4 3/4"	4 3/4"	4 3/4"	4 3/4"	4 3/4"
5"	5"	5"	5"	5"	5"
5 1/4"	5 1/4"	5 1/4"	5 1/4"	5 1/4"	5 1/4"
5 1/2"	5 1/2"	5 1/2"	5 1/2"	5 1/2"	5 1/2"
5 3/4"	5 3/4"	5 3/4"	5 3/4"	5 3/4"	5 3/4"
6"	6"	6"	6"	6"	6"
7"	7"	7"	7"	7"	7"
8"	8"	8"	8"	8"	8"
10"	10"	10"	10"	10"	10"
12"	12"	12"	12"	12"	12"

NOTE: 30 FT STANDARD PACKAGE (2-15 FT COILS/PACKAGE)

MOLDED ROLL LINING 242 or (Non-Asbestos)

WIDTHS AVAIL.	THICKNESS - INCHES					
	5/32	3/16	1/4	5/16	3/8	1/2
	1"	1"	1"	1"	1"	1"
	1 1/4"	1 1/4"	1 1/4"	1 1/4"	1 1/4"	1 1/4"
	1 1/2"	1 1/2"	1 1/2"	1 1/2"	1 1/2"	1 1/2"
	1 3/4"	1 3/4"	1 3/4"	1 3/4"	1 3/4"	1 3/4"
	2"	2"	2"	2"	2"	2"
	2 1/4"	2 1/4"	2 1/4"	2 1/4"	2 1/4"	2 1/4"
	2 1/2"	2 1/2"	2 1/2"	2 1/2"	2 1/2"	2 1/2"
	2 3/4"	2 3/4"	2 3/4"	2 3/4"	2 3/4"	2 3/4"
	3"	3"	3"	3"	3"	3"
	3 1/4"	3 1/4"	3 1/4"	3 1/4"	3 1/4"	3 1/4"
	3 1/2"	3 1/2"	3 1/2"	3 1/2"	3 1/2"	3 1/2"
	4"	4"	4"	4"	4"	4"
	4 1/2"	4 1/2"	4 1/2"	4 1/2"	4 1/2"	4 1/2"
	5"	5"	5"	5"	5"	5"
	5 1/2"	5 1/2"	5 1/2"	5 1/2"	5 1/2"	5 1/2"
	6"	6"	6"	6"	6"	6"
	6 1/2"	6 1/2"	6 1/2"	6 1/2"	6 1/2"	6 1/2"
	7"	7"	7"	7"	7"	7"
	7 1/2"	7 1/2"	7 1/2"	7 1/2"	7 1/2"	7 1/2"
	8"	8"	8"	8"	8"	8"
	8 1/2"	8 1/2"	8 1/2"	8 1/2"	8 1/2"	8 1/2"
	9"	9"	9"	9"	9"	9"
	10"	10"	10"	10"	10"	10"
	11"	11"	11"	11"	11"	11"
	12"	12"	12"	12"	12"	12"
	13"	13"	13"	13"	13"	13"
	20"	20"	20"	20"	20"	20"

NOTE: 30 FT STANDARD PACKAGE (2-15 FT COILS/PACKAGE)

MOLDED ROLL LINING 242 *or* DIAMOND GROOVE

THICKNESS - INCHES

WIDTHS AVAIL.	THICKNESS - INCHES				
	5/32	3/16	1/4	5/16	3/8
	1"	1"	1"	1"	1"
	1 1/4"	1 1/4"	1 1/4"	1 1/4"	1 1/4"
	1 1/2"	1 1/2"	1 1/2"	1 1/2"	1 1/2"
	1 3/4"	1 3/4"	1 3/4"	1 3/4"	1 3/4"
	2"	2"	2"	2"	2"
	2 1/4"	2 1/4"	2 1/4"	2 1/4"	2 1/4"
	2 1/2"	2 1/2"	2 1/2"	2 1/2"	2 1/2"
	2 3/4"	2 3/4"	2 3/4"	2 3/4"	2 3/4"
	3"	3"	3"	3"	3"
	3 1/4"	3 1/4"	3 1/4"	3 1/4"	3 1/4"
	3 1/2"	3 1/2"	3 1/2"	3 1/2"	3 1/2"
	4"	4"	4"	4"	4"
	4 1/2"	4 1/2"	4 1/2"	4 1/2"	4 1/2"
	5"	5"	5"	5"	5"
	5 1/2"	5 1/2"	5 1/2"	5 1/2"	5 1/2"
	6"	6"	6"	6"	6"
	6 1/2"	6 1/2"	6 1/2"	6 1/2"	6 1/2"
	7"	7"	7"	7"	7"
	7 1/2"	7 1/2"	7 1/2"	7 1/2"	7 1/2"
	8"	8"	8"	8"	8"
	8 1/2"	8 1/2"	8 1/2"	8 1/2"	8 1/2"
	9"	9"	9"	9"	9"
	10"	10"	10"	10"	10"

NOTE 1: 3/8" MAXIMUM THICKNESS - 10" MAXIMUM WIDTH

NOTE 2: ALL WIDTHS 4" AND UP HAVE CENTER GROOVE

NOTE 3: 30 FT STANDARD PACKAGE (2-15 FT COILS/PKG)



Non-Asbestos Industrial Friction Materials



GEMINI FRICTIONS

GEMINI FRICTIONS

Manufactured by:
SCAN-PAC MFG., INC.

N84 W13510 Leon Rd. • Menomonee Falls, WI 53051
Phone: 262.255.2525 • Fax: 262.255.2528
Email: sales@scanpac.com • website: www.scanpac.com

GEMINI FRICTIONS

Scan-Pac Mfg. Inc. is pleased to offer our new Gemini line of industrial friction materials. The Gemini Brand of friction materials was developed by Scan-Pac., Inc. to meet the needs of our customers and provide the highest value in friction material offerings in the marketplace.

We are introducing four new rigid molded formulations with coefficients of friction ranging from .15 to .59 and a new woven material for both industrial and oilfield applications. The new Gemini molded materials will be produced in our Menomonee Falls, Wisconsin facility under the titles GL (Gemini Low), GM (Gemini Mid), GMH (Gemini Mid-High) and GH (Gemini High). These materials offer substantial savings and will be available in any of the products you currently purchase using our premium lines of RF material formulations.

The new Gemini woven material will be produced in our Magnolia, Texas facility. The Gemini woven was also developed with the price conscious consumer in mind as the material offers considerable savings over our premium Green Gripper Woven material. The new woven material is available in roll form, cut pieces, oilfield blocks, grooved lining, and lining with drilled holes.

Rigid Friction Materials to Gemini Price Savings Matrix

	RF18	RF34	RF38	RF52
GL	15%			
GM		20%	20%	
GMH			20%	15%
GH				15%

The Gemini Molded series of materials offers substantial savings and is available in any of the products you currently purchase using our premium lines of RF material formulations.

Product Offerings Include:

- | | |
|-----------------------|------------------------------------|
| Flat Sheets | Crane Shovel and Draglines |
| Rigid Molded Blocks | Rigid Molded Flat Sheets |
| Molded Special Shapes | Gear Tooth Facings |
| Clutch Facings | Bonded and Integrally Molded Parts |
| Disc Pads | Other Rigid Molded Parts |

GEMINI (Non-Asbestos) WOVEN LINING

	1/8	3/16	1/4	5/16	3/8	1/2	5/8	3/4	1	1 1/8	1 1/4
WIDTHS AVAIL.	3/4"	3/4"	3/4"	3/4"	3/4"	3/4"	3/4"	3/4"	3/4"	3/4"	3/4"
	3/4"	3/4"	3/4"	3/4"	3/4"	3/4"	3/4"	3/4"	3/4"	3/4"	3/4"
	1 1/4"	1 1/4"	1 1/4"	1 1/4"	1 1/4"	1 1/4"	1 1/4"	1 1/4"	1 1/4"	1 1/4"	1 1/4"
	1 1/2"	1 1/2"	1 1/2"	1 1/2"	1 1/2"	1 1/2"	1 1/2"	1 1/2"	1 1/2"	1 1/2"	1 1/2"
	1 3/4"	1 3/4"	1 3/4"	1 3/4"	1 3/4"	1 3/4"	1 3/4"	1 3/4"	1 3/4"	1 3/4"	1 3/4"
	2"	2"	2"	2"	2"	2"	2"	2"	2"	2"	2"
	2 1/4"	2 1/4"	2 1/4"	2 1/4"	2 1/4"	2 1/4"	2 1/4"	2 1/4"	2 1/4"	2 1/4"	2 1/4"
	2 1/2"	2 1/2"	2 1/2"	2 1/2"	2 1/2"	2 1/2"	2 1/2"	2 1/2"	2 1/2"	2 1/2"	2 1/2"
	2 3/4"	2 3/4"	2 3/4"	2 3/4"	2 3/4"	2 3/4"	2 3/4"	2 3/4"	2 3/4"	2 3/4"	2 3/4"
	3"	3"	3"	3"	3"	3"	3"	3"	3"	3"	3"
	3 1/2"	3 1/2"	3 1/2"	3 1/2"	3 1/2"	3 1/2"	3 1/2"	3 1/2"	3 1/2"	3 1/2"	3 1/2"
	4"	4"	4"	4"	4"	4"	4"	4"	4"	4"	4"
4 1/2"	4 1/2"	4 1/2"	4 1/2"	4 1/2"	4 1/2"	4 1/2"	4 1/2"	4 1/2"	4 1/2"	4 1/2"	
5"	5"	5"	5"	5"	5"	5"	5"	5"	5"	5"	
5 1/2"	5 1/2"	5 1/2"	5 1/2"	5 1/2"	5 1/2"	5 1/2"	5 1/2"	5 1/2"	5 1/2"	5 1/2"	
6"	6"	6"	6"	6"	6"	6"	6"	6"	6"	6"	
6 1/2"	6 1/2"	6 1/2"	6 1/2"	6 1/2"	6 1/2"	6 1/2"	6 1/2"	6 1/2"	6 1/2"	6 1/2"	
7"	7"	7"	7"	7"	7"	7"	7"	7"	7"	7"	
7 1/2"	7 1/2"	7 1/2"	7 1/2"	7 1/2"	7 1/2"	7 1/2"	7 1/2"	7 1/2"	7 1/2"	7 1/2"	
8"	8"	8"	8"	8"	8"	8"	8"	8"	8"	8"	
8 1/2"	8 1/2"	8 1/2"	8 1/2"	8 1/2"	8 1/2"	8 1/2"	8 1/2"	8 1/2"	8 1/2"	8 1/2"	
9"	9"	9"	9"	9"	9"	9"	9"	9"	9"	9"	
10"	10"	10"	10"	10"	10"	10"	10"	10"	10"	10"	
11"	11"	11"	11"	11"	11"	11"	11"	11"	11"	11"	
12"	12"	12"	12"	12"	12"	12"	12"	12"	12"	12"	
13"	13"	13"	13"	13"	13"	13"	13"	13"	13"	13"	

STANDARD ROLL LENGTH IS 25 FEET - NOMINAL



Non-Asbestos Industrial Friction Materials



GATKE PHENOLIC BEARINGS *and* LAMINATES

Manufactured by:
SCAN-PAC MFG., INC.

N84 W13510 Leon Rd. • Menomonee Falls, WI 53051
Phone: 262.255.2525 • Fax: 262.255.2528
Email: sales@scanpac.com • website: www.scanpac.com

**GATKE PHENOLIC
BEARINGS & LAMINATES**

GATKE PHENOLIC BEARINGS *and* LAMINATES

AVAILABLE CUSTOM MADE OFFERINGS

- | | | |
|----------------------|--------------------|----------------------------------|
| o Bushings | o Plate Liners | o Horizontal Liners |
| o Spherical Bearings | o Wear Plates | o Vertical Liners |
| o Slipper Bearings | o Raw Molded Tubes | o Tread Plates & Equalizer Seats |
| o Hanger Bearings | o Finished Tubes | o Pressure Plates |

NON-ASBESTOS PHENOLIC BEARING MATERIAL

MATERIAL 112/397

HANGER BEARINGS: STYLE 216, 16B, 316, 416 HANGERS
STANDARD (FIBERGLASS ID (397), COTTON PHENOLIC OD (112))

TEMPERATURE RATED TO 250 F MAX.

COUPLING DIA.	PART NUMBER
1"	309 175 612
1-1/2"	309 175 622
2"	309 175 632
2-7/16"	309 175 642
3"	309 175 653
3-7/16"	309 175 663

MATERIAL 397

HANGER BEARINGS: STYLE 16B, 216, 316, 416 HANGERS
**SOLID FIBERGLASS CUSTOM-MADE FOR HIGH-HEAT APPLICATIONS

TEMPERATURE RATED TO 550 F MAX.

COUPLING DIA.	PART NUMBER
1"	309 175 612
1-1/2"	309 175 622
2"	309 175 632
2-7/16"	309 175 642
3"	309 175 653
3-7/16"	309 175 663

GATKE PHENOLIC BEARINGS *and* LAMINATES

NON-ASBESTOS PHENOLIC BEARING MATERIAL

MATERIAL 112/397

HANGER BEARINGS: STYLE 216, 16B, 316, 416 HANGERS
STANDARD (FIBERGLASS ID (397), COTTON PHENOLIC OD (112))

TEMPERATURE RATED TO 250 F MAX.

COUPLING DIA.	PART NUMBER
1-1/2" (2 1/4 O.D)	311 175 511
1-1/2" (2 5/8 O.D.)	311 175 521
2"	311 175 531
2-7/16"	311 175 542
3"	311 175 552
3-7/16"	311 175 561

MATERIAL 397

HANGER BEARINGS: STYLE 19B, 219, 18B, 218, 17B, 217 HANGERS
**SOLID FIBERGLASS - CUSTOM-MADE FOR HIGH-HEAT APPLICATION

TEMPERATURE RATED TO 550 F MAX.

COUPLING DIA.	PART NUMBER
1" (2 1/4" O.D.)	311 175 511
1-1/2" (2 5/8" O.D.)	311 175 521
2"	311 175 531
2-7/16"	311 175 542
3"	311 175 552
3-7/16"	311 175 561

GATKE PHENOLIC BEARINGS *and* LAMINATES

NON-ASBESTOS PHENOLIC BEARING MATERIAL

MATERIAL 112/397

HANGER BEARINGS: STYLE 220, 226, 228 OR 2B, 26B, 28B
STANDARD (FIBERGLASS ID (397), COTTON/PHENOLIC OD (112))

TEMPERATURE RATED TO 250 F MAX.

COUPLING DIA.	PART NUMBER
1"	312 175 412
1-1/2"	312 175 422
2"	312 175 432
2-7/16"	312 175 443
3"	312 175 453
3-7/16"	312 175 462

MATERIAL 397

HANGER BEARINGS: STYLE 226, 220, 228, 2B, 26B, OR 28B
**SOLID FIBERGLASS CUSTOM-MADE, FOR HIGH-HEAT APPLICATIONS

TEMPERATURE RATED TO 550 F MAX.

COUPLING DIA.	PART NUMBER
1"	312 175 412
1-1/2"	312 175 422
2"	312 175 432
2-7/16"	312 175 443
3"	312 175 453
3-7/16"	312 175 462



Non-Asbestos Industrial Friction Materials



FORKLIFTS SETS

Manufactured by:
SCAN-PAC MFG., INC.

N84 W13510 Leon Rd. • Menomonee Falls, WI 53051
Phone: 262.255.2525 • Fax: 262.255.2528
Email: sales@scanpac.com • website: www.scanpac.com

FORKLIFTS SETS

NON - ASBESTOS LIFT TRUCK LINING

SP #	OEM	SIZE	D.D.	PCS/SET	MTL
LT0310	CLARK	1 1/4 X 5/32 X 7 15/16	3E	2	2400R
LT0311	CLARK	1 1/2 X 5/32 X 7 15/16	3 7/8E	2	2400R
LT0520	TOWMOTOR	1 1/2 X 3/16 X 6 1/4	5 1/8E	2	2400R
LT0620	CLARK	1 3/8 X 3/16 X 3	6E	2	RF 34
LT0621	DATSUN	1.72 X .157 X 5 3/8	6.3E	2	2400R
LT0720	CLARK	1 5/16 X 1/4 X 7 1/4	7N	2	2400R
LT0721	HYSTER	2 X 1/4 X 6 1/4	7N	2	2400R
LT0722	CLARK	2 1/4 X 1/4 X 7 1/8	7N	2	2400R
LT0723	CLARK	3 X 1/4 X 8 1/8	7 1/2N	2	2400R
LT0820	CLARK	2 X 1/4 X 8 1/4	8N	2	2400R
LT0821	CLARK	3 X 1/4 X 8 3/16	8N	2	RF 34
LT0920	CLARK HYSTER	1 3/4 X 3/16 X 6 5/8(1) 10 1/4(1)	9N	2	2400R
LT0921	HYSTER	13/4 X 3/16 X 8 1/8(2) 10 5/8(2)	9N	4	2400R
LT0922	TOWMOTOR	2 X 3/16 X 8 5/8	9N	2	2400R
LT0923	HYSTER	2 X 7/32 X 9 7/8	9N	2	2400R
LT0924	HYSTER	4 X 1/4 X 3.31	9N	2	2400R
LT0925	YALE/TOWNE	2 X 3/16 X 10 11/32 (1) 8(1)	9N	2	2400R
LT0926	CAT	1 1/2 X 3/16 X 10 3/4	9 1/2N	2	2400R
LT0930	HYSTER	2 1/4 X 5/16 X 11 1/8	9 3/4N	2	2400R
LT0932	AC	2 3/8 X 1/4 X 9	9.65N	2	RF 34
LT0933		2 1/2 X 5/16 X 9	9 1/2N	2	2400R
LT1020	HYSTER	1 3/4 X 3/16 X 11	10N	2	RF 34
LT1021	CLARK	2 1/4 X 1/4 X 10 3/4	10N	2	RF 34
LT1022	HYSTER	4 X 1/4 X 3 9/16	10N	2	RF 34
LT1023	HYSTER BAKER	2 X 3/16 X 11	10N	2	RF 34
LT1024	HYSTER	2 1/4 X 5/16 X 11 1/4	10N	2	RF 34
LT1025		2 X 1/4 X 11	11N	2	RF 34
LT1026		1/4 X 2 1/2 X 12	11N	2	RF 34
LT1120	TOWMOTOR	1 3/4 X 1/4 X 8 1/8	11N	2	RF 34
LT1122	TOWMOTOR	2 1/4 X 1/4 X 10 19/32	11N	2	RF 34
LT1123		2 1/2 X 1/4 X 12 1/2	12N	2	RF 34
LT1210	HYSTER	1 3/4 X 3/16 X 10 3/8 (1) 13 1/2 (1)	12N	2	RF 34
LT1211	HYSTER	2 1/2 X 3/16 X 13 1/8	12N	2	RF 34
LT1220	TOYOTA	2.36 X 1/4 X 13 1/2 (2) 2.36 X 3/8 X 13 3/16 (2)	12N	4	RF 34
LT1221		2 1/2 X 1/4 X 13 1/2	12 1/2N	2	RF 34
LT1222		2 1/2 X 1/4 X 13	12 1/4N	2	RF 34
LT1223		3 X 1/4 X 13	12N	2	RF 34
LT1225		1/4 X 2.36 X 13 1/2	12N	2	RF 34
LT1230	HYSTER	2 1/2 X 5/16 X 11 1/2	12N	2	RF 34

NON - ASBESTOS LIFT TRUCK LINING

SP #	OEM	SIZE	D.D.	PCS/SET	MTL
LT1231	HYSTER	2 1/2 X 5/16 X 14 3/4	12N	2	RF 34
LT1232	HYSTER	2 1/2 X 5/16 X 13 1/4	12 1/2N	2	RF 34
LT1234	MITSUBISHI	2 3/8 X 3/16 X 13 1/2	12.28N	8	RF 34
LT1235	HYSTER	2 1/2 X 5/16 X 14 3/4	12 1/2N	2	RF 34
LT1237		3 17/21 X 5/16 X 13 5/8	12 1/2N	2	RF 34
LT1240		2 1/2 X 3/8 X 13 1/2	12N	2	RF 34
LT1241	DATSUN	2 3/8 X 3/8 X 13 1/2	12 1/2N	2	RF 34
LT1242	DATSUN	2 1/2 X 3/8 X 13 5/8	12 1/2N	2	RF 34
LT1243	HYSTER	2 1/4 X 3/8 X 13 1/2	12 1/2N	2	RF 34
LT1245	TOYOTA	3/16 X 2.34 X 13 15/16	12N	2	RF 34
LT1246		3/8 X 3 3/16 X 12	12 3/8N	2	RF 34
LT1250	HYSTER	3/8 X 3 1/8 X 12	12 1/2N	2	RF 34
LT1320	CLARK	2 1/4 X 1/4 X 14	13N	2	RF 34
LT1321	CLARK	2 X 1/4 X 12 1/4(1) 14 1/2(1)	13 1/8N	2	RF 34
LT1322	CLARK	2 X 1/4 X 13 3/4	13 1/8N	2	RF 34
LT1330D	WHITE	2 1/2 X 5/16 X 13 1/4 10 D&C	13N	2	RF 34
LT1340	NISSAN	3/8 X 2 3/8 X 13 3/4	13N	2	RF 34
LT1341	HYSTER	3/8 X 3 1/8 X 12	13 1/4N	2	RF 34
LT1420	CLARK	2 X 1/4 X 11 5/8(1) 15 1/8(1)	14N	2	RF 34
LT1421	TOWMOTOR	2 X 1/4 X 13 1/2	14N	2	RF 34
LT1423	CLARK	2 X 1/4 X 14	14N	2	RF 34
LT1424	CLARK	2 X 1/4 X 14 7/8	14N	2	RF 34
LT1425	TOWMOTOR	2 1/2 X 1/4 X 14 1/2	14 1/2N	2	RF 34
LT1430	HYSTER	2 X 5/16 X 14	14N	2	RF 34
LT1431	HYSTER	2 1/4 X 5/16 X 14	14N	2	RF 34
LT1440		2 X 3/8 X 15	14N	2	RF 34
LT1441	HYSTER	2 15/16 X 3/8 X 15	14N	2	RF 34
LT1442	HYSTER	2 X 3/8 X 14 7/8	14 1/8N	2	RF 34
LT1530	CLARK	2 1/4 X 5/16 X 15 1/2	15 1/4N	2	RF 34
LT1630	HYSTER	4 X 5/16 X 12 5/8(1) 16 7/8(1)	15N	2	RF 34
LT1640	CLARK	4 X 3/8 X 16 7/8	16N	4	RF 34
LT1641	CLARK	4 1/2 X 3/8 X 16 1/2	16N	2	RF 34
LT1642	HYSTER	6 X 3/8 X 16 7/8	16N	2	RF 34
LT1650	CLARK	4 X 1/2 X 17 1/4	16N	4	RF 34
LT1730	HYSTER	4 X 5/16 X 13 1/2(1) 17 3/4(1)	17 1/4N	2	RF 34
LT1750	TAYLOR	4 X 1/2 X 16 22 D&C	17 1/4N	4	RF 34
LT1751	HYSTER	5/16 X 4 X 17 1/2	17 1/4N	2	RF 34
LT2070	CLARK	5 3/4 X 10 5/16	20N	8	RF 34
LT2370	HYSTER	4 X 3/4 X 9 1/4	23E	6	RF 34
LT2640	HYSTER	5 X 3/8 X 9	26E	7	RF 34
LT3560	HYSTER	4 3/4 X 5/8 X 9	35E	10	RF 34
LT4170	HYSTER	5 X 3/4 X 9 3/4	41E	11	RF 34

NON - ASBESTOS LIFT TRUCK LINING FOR CLARK

MODEL	APPLICATION	OEM #	FMSI #	SP#	SIZE	D.D.
CLARKAT				LT1322	2 X 1/4 X 13 3/4(2)	3 1/8N
CLARKETTE	SERVICE BRAKES			LT1423	2 X 1/4 X 14(2)	14N
CLARKTOR 6			1144	LT1420	2 X 1/4 X 11 5/8(1)15 1/8(1)	14N
CARLOADER	SERVICE	822H-225, 285				
UT LIFTS	BRAKES	101329, 109311		LT1424	2 X 1/4 X 14 7/8(2)	14N
	PARKING BRAKE	4018		LT0311	1 1/2 X 5/32 X 7 15/16(1)	3 7/8E
CLIPPER	SERVICE					
FORT TRUCK	BRAKE	1039-S-1-2		LT0920	1 3/4 X 3/16 X 6 5/8(1) 10 1/4(1)	9N
	PARKING BRAKE	5363		LT0310	1 1/4 X 5/32 X 7 15/16(1)	3E
MODEL 40	SERVICE					
PLANE LOADER	BRAKE	101329-30	1144	LT1420	2 X 1/4 X 11 5/8(1) 15 1/8(1)	14N
POWER WORKER	SERVICE BRAKE	302658		LT0620	1 3/8 X 3/16 X 3 (2)	6E
C20, CY-20						
CFY20, C30						
C40, C50						
CF30, CF40						
CF50, CFY30	SERVICE	107317				
CFY40, CFY50	BRAKES	110031		LT0821	3 X 1/4 X 8 3/16 (2)	8N
CFY150	BRAKES	872215				
		FF3142	1195	LT1640	4 X 3/8 X 16 7/8 (4)	16N
CY180	BRAKES		1195	LT1640	4 X 3/8 X 16 7/8 (4)	16N
TR TRUCK	SERVICE					
LOADER	BRAKES			LT0720	1 5/16 X 1/4 X 7 1/4 (2)	7N
YARDLIFT 20	SERVICE BRAKES	101494				
		862572		LT0820	2 X 1/4 X 8 1/4 (2)	8N
YARDLIFT 40	SERVICE BRAKES	FC5485		LT1322	2 X 1/4 X 13 3/4(2)	3 1/8N
	OR	852020		LT1423	2 X 1/4 X 14 (2)	14N
YARDLIFT 60	SERVICE BRAKES	102520		LT1530	2 1/4 X 5/16 X 15 1/2(2)	5 1/4N
	OR YR60	FC7425	1188	LT1321	2 X 1/4 X 12 1/4 (1) 14 1/2(1)	3 1/8N
YARDLIFT 150	SERVICE BRAKES	858201-830204	1198	LT1641	4 1/2 X 3/8 X 16 1/2 (2)	16N
YARDLIFT 400	SERVICE BRAKES	107705	4587D	LT2070	5 X 3/4 X 10 15/16(8)	20N
CONTROLLER	BRAKES	A106-65098		GGW	4 1/2 X 3/8 X 11.65(2)	7N
ACT 50	WHEEL BRAKES	106386-110135		LT0820	2 X 1/4 X 8 1/4 (4)	8N
7 TON	WHEEL BRAKES			LT1650	4 X 1/2 X 17 1/4 (4)	16N
MODELS UNKNOWN			124549	LT0722	2 1/4 X 1/4 X 7 1/8(2)	7N
			993639	LT1320	2 1/4 X 1/4 X 14(2)	13N
			4382	LT0723	3 X 1/4 X 8 1/8(2)	7 1/2N
			4245	LT1021	2 1/4 x 1/4 x 10 3/4(2)	10N

NON - ASBESTOS LIFT TRUCK LINING FOR HYSTER

MODEL	APPLICATION	OEM #	FMSI #	SP#	SIZE	D.D.
KARRY KRANES						
KB, KC, KD						
KK, KL	BRAKES	28178A	1167	LT1210	1 3/4 X 3/16 X 10 3/8(1)	12N
		44723			13 1/2(1)	
CHY TRIPLE DRUM	HAULBACK BRAKE			LT2640	5 X 3/8 X 9(7)	26E
	MAINLINE BRAKE			LT2370	4 X 3/4 X 9 1/4(6)	23E
RT150 LIFT TRUCK	BRAKES	28990A	2010	LT0920	1 3/4 X 3/16 X 6 5/8(1)	9N
		44517			10 1/4(1)	
	OR			LT1235	2 1/2 X 5/16 X 14 3/4(2)	12 1/2N
TC200 LIFT TRUCK	BRAKES		1199	LT1642	6 X 3/8 X 16 7/8(2)	16N
QT20 LIFT TRUCK	BRAKES	28309		LT0921	3/4 X 3/16 X 8 1/8(2)	9N
		FD6612			10 5/8(2)	
YT 40 LIFT TRUCK	BRAKES	49682		LT1020	1 3/4 X 3/16 X 11(2)	10N
		34620				
/T75 LIFT TRUCK	BRAKES	45502A		LT1442	2 X 3/8 X 14 7/8(2)	14 1/8N
		FC7368A				
	PARKING BRAKES	29286		GGW	2 1/2 X 5/32 X 24 15/16	
		2721H				
M2 STRADDLE TRUCK BRAKES		21708	153AD	LT1630	4 X 5/16 X 12 5/8(1)	16N
		FD2715-6			16 7/8(1)	
		23660				
MH STRADDLE TRUCK BRAKES		23669		LT1730	4 X 5/16 X 13 1/2(1)	17 1/4
		FC1606-7			17 3/4(1)	
	PARKING BRAKE	86453-H		GGW	3 X 5/16/12 1/2	
98A	HAULBACK BRAKE	A95097		LT3560	4 3/4 X 5/8/9(10)	35E
	MAINLINE BRAKE	A94846		LT4170	5 X 3/4 X 9 3/4(11)	41E
50	BRAKES	23497AG		LT1211	2 1/2 X 3/16 X 13 1/8(2)	12N
RC150 LIFT TRUCK	EMERGENCY BRAKE	33-54752		LT0721	2 X 1/4 X 6 1/4(2)	7N
MODELS UNKNOWN		9287G		LT0924	4 X 1/4 X 3.31	9N
		345936		LT0923	2 X 7/32 X 9 7/8(2)	9N
		36976		LT0930	2 1/4 X 5/16 X 11 1/8(2)	9 3/4N
		162135	1288	LT1232	2 1/2 X 5/16 X 13 1/4(2)	12 1/2N
		217105		LT1243	2 1/4 X 3/8 X 13 1/2(2)	12 1/2N
				LT1231	2 1/2 X 5/16 X 14 3/4(2)	12 1/2N
		92876		LT1022	4 X 1/4 X 3 9/16(2)	10N
				LT1230	2 1/2 X 5/16 X 11 1/2(2)	12N
				LT1431	2 1/4 X 5/16 X 11 1/2(2)	14N
				LT1430	2 X 5/16 X 14(2)	14N
				LT1441	2 15/16 X 3/8 X 15(2)	14N

NON - ASBESTOS LIFT TRUCK LINING FOR TAYLOR

MODEL	APPLICATION	OEM #	FMSI #	SP#	SIZE	D.D.
TY300M	BRAKES			LT1750D	4 X 1/2 X 16(4)	17 1/4N

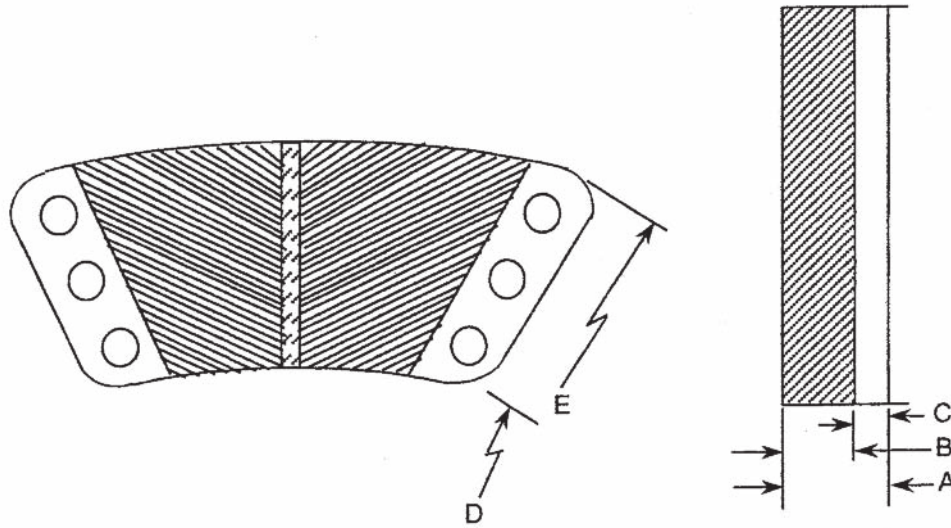
NON - ASBESTOS LIFT TRUCK FOR TOYOTA

MODEL	APPLICATION	OEM #	FMSI #	SP#	SIZE	D.D.
		2FD35		LT1220	2.36 X 1/4 X 13 1/2(2)	12N
		3FD25			2.36 X 3/8 X 13 3/16(2)	

NON - ASBESTOS LIFT TRUCK FOR YALE & TOWNE

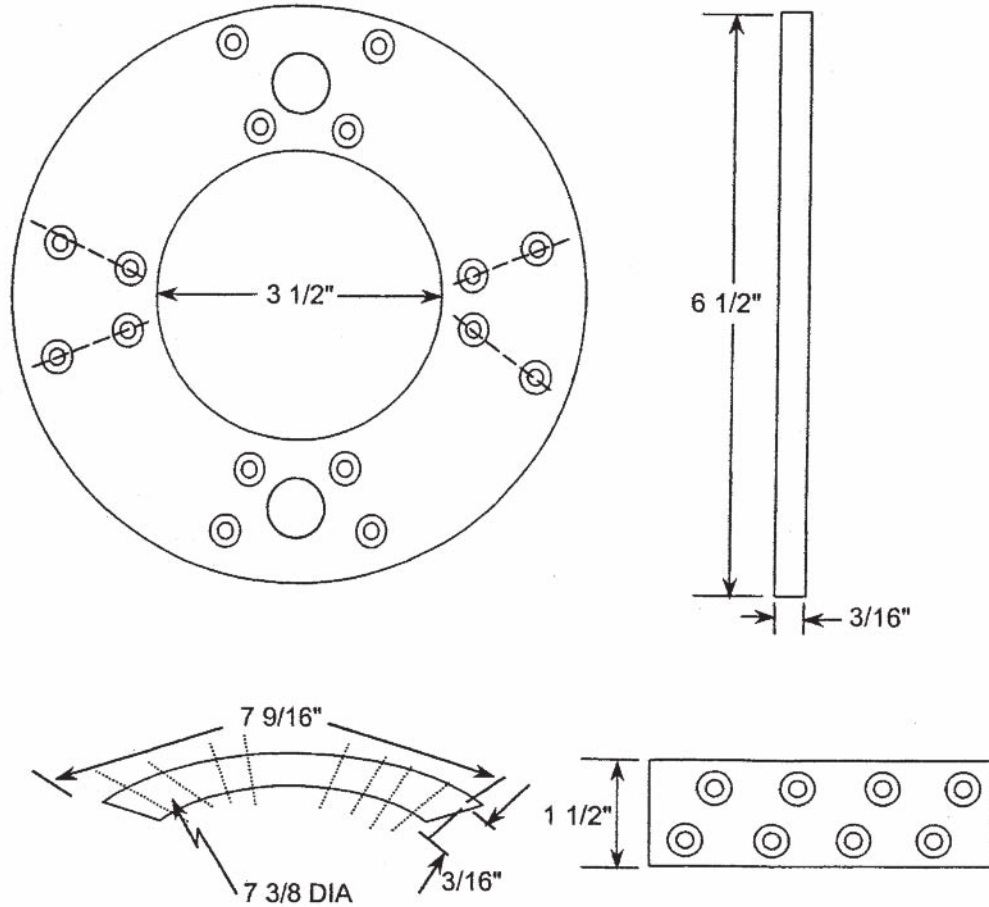
MODEL	APPLICATION	OEM #	FMSI #	SP#	SIZE	D.D.
G52-2024,G52						
3024,GP52-2024	BRAKE LINING	514K24				
K51-10,1520	FORWARD &	514K25		LT0925	2 X 3/16 X 10 11/32(1) 8(1)	9N
KG10,15,20	REVERSE	1215D				
		515GK23				
	OR	515GK24		LT0925	2 X 3/16 X 10 11/32(1) 8(1)	9N
		1215-1-PGP				
K20,520B,K21						
K22,K23,K23E	BRAKES	K724B		GGW	2 X 3/16 X 15 15/16	
K25,K26,K27		K725A		GGW	2 X 3/16 X 20 5/8	
K29,K33		K3977		GGW	2 3/4 X 1/4 X 21 1/2	
K36						
		K724B		GGW	2 3/16 X 15 15/16	
		K5788A		GGW	2 X 3/16 X 15	
K41	BRAKES	K6208A		GGW	2 X 3/16 X 16	
		K725A		GGW	2 X 3/16 X 20 5/8	
		K3977		GGW	2 3/4 X 1/4 X 21 1/2	
K266-20H						
K266-20L		K10096		GGW	3 1/4 X 5/16 X 29	
K41-10-12	BRAKES	K11360		GGW	2 X 1/4 X 20	
K41-16-13		K11355		GGW	2 1/2 X 1/4 X 27	
K41-25						
		K5788A		GGW	2 X 3/16 X 15	
K42-3	BRAKES	K6208A		GGW	2 X 3/16 X 16	
		14K-3		GGW	2 X 3/16 X 12 1/2	
		K5788A		GGW	2 X 3/16 X 15	
K42-6	BRAKES	K6208A		GGW	2 X 3/16 X 16	
		14K-2		GGW	2 X 1/4 X 13 3/4	

RF42 NON - ASBESTOS INTEGRALLY MOLDED CLUTCH SEGMENT



	A.	B.	D.	D (I.D)	E (O.D.)
SP2045M	.875	.750	.125 (NOM)	15 1/4	17 15/16
SP2046M	1.000	.875	.125 (NOM)	17 1/8	20 15/16
SP2050M	.875	.750	.125 (NOM)	13	19

RF38 ARGIFULTURAL KIT



KIT NO. AG 6527

KIT CONSISTS OF:

- 2EA FACING
- 2EA LINING
- 32 NO. 7-9 RIVETS
- 16 NO. 4-4 1/2



Non-Asbestos Industrial Friction Materials

**PLANT
FRICTIONS**



PLANT FRICTIONS

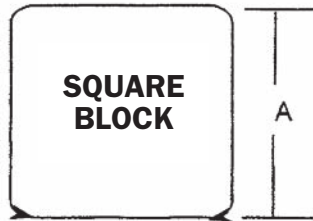
Manufactured by:
SCAN-PAC MFG., INC.

N84 W13510 Leon Rd. • Menomonee Falls, WI 53051
Phone: 262.255.2525 • Fax: 262.255.2528
Email: sales@scanpac.com • website: www.scanpac.com

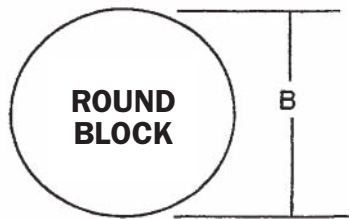
NON-ASBESTOS PRESS BLOCKS

PRESS BLK 10/24/95	MAT.	FOR SIZE DATA SEE ATTACHED PAGES
PB1025	34	
PB1175	34	
PB1200	34	
PB1317	38	
PB1318	38	
PB1319	38	
PB1350	34	
PB1375	34	
PB1475	34	
PB2000	34	
PB2500	34	
PB3375	34	
PB4000	34	
PB4130	34	
PB4500	34	
PB5500	34	
PB5501	34	
PB5650	34	
PB6000	34	
PB6001	34	
PB6500	34	
PB7000	34	
PB7901	34	
PB7902	34	
PB7903	34	
PB7904	34	
PB7905	34	
PB7906	34	
PB7907	34	
PB8000	34	
PB9000	34	
PB9500	34	

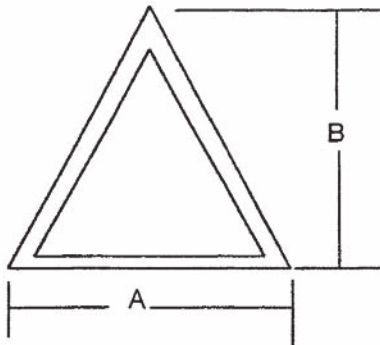
NON-ASBESTOS PRESS BLOCKS



SP#	DIMENSIONS	
	THK	A.
PB7901	1.50	1.750
PB7902	1.50	2.175
PB7903	1.50	2.340
PB7904	1.50	2.860
PB7905	1.50	3.380
PB7906	1.50	3.730
PB7907	1.50	3.250

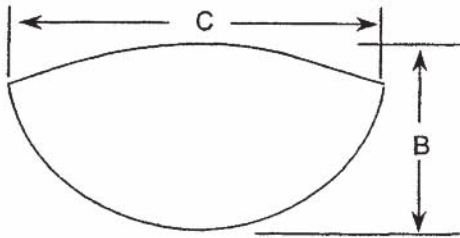


PB2000	1.50	2.000
PB2500	1.50	2.500
PB3375	1.50	3.375
PB4000	1.50	4.000
PB4500	1.50	4.500
PB5500	1.50	5.500

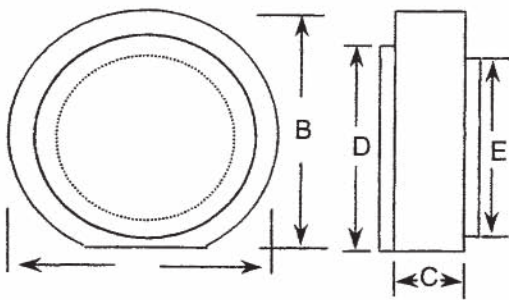


		A.	B.
PB6000	1.75	6	5.375
PB6500	1.75	6.5	5.875

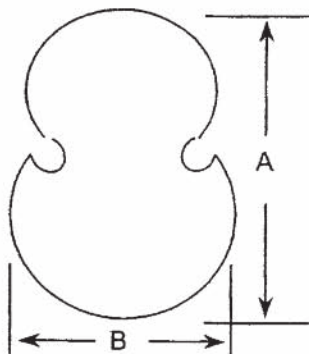
RF 38 NON-ASBESTOS PRESS BLOCKS



SP#	THK	DIMENSIONS	
		B	C
PB8000	2.25	4.625	8.00
PB9500	2.25	5.500	9.40
PB9000	2.25	5.250	9.00
PB1025	2.25	6.000	10.25
PB1175	2.25	7.000	11.75
PB1350	2.25	8.000	13.50
PB1475	2.25	8.500	14.75
PB1200	2.25	7.000	12.00

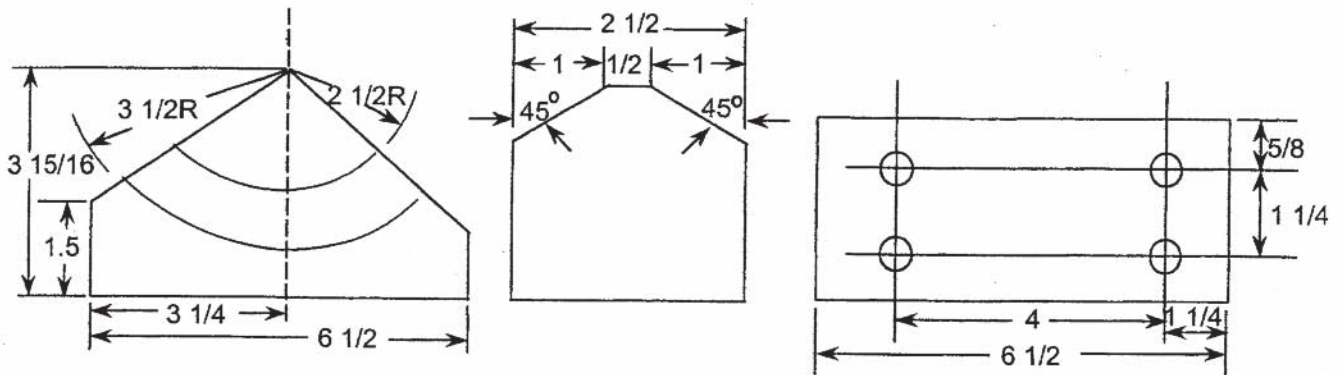


SP#	A	B	C	D	E
PB5501	5.50	5.00	2.25	4.125	5.00
PB6001	6.00	5.25	2.25	5.250	4.625

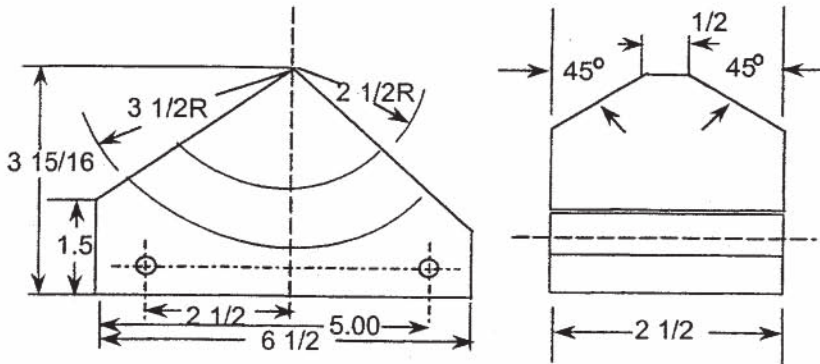


SP#	THK	A	B
PB7000	1.50	7.00	5.75

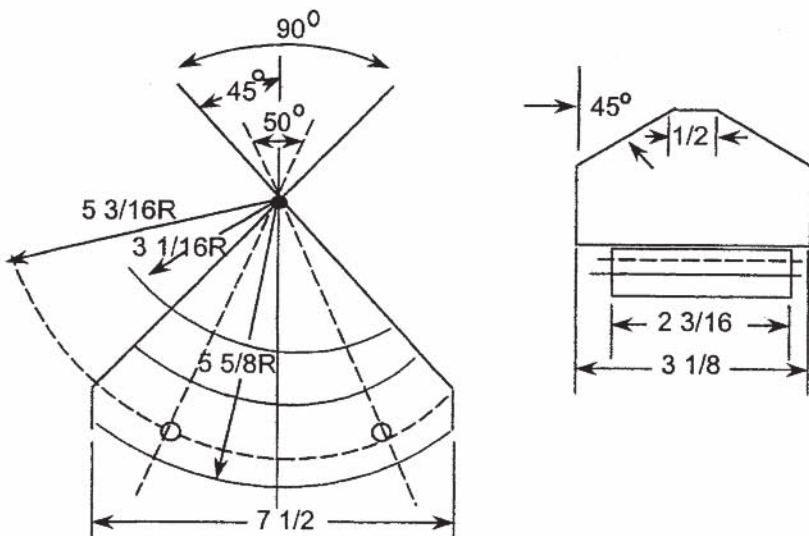
RF 38 NON-ASBESTOS PRESS BLOCKS



PART #
PB1319

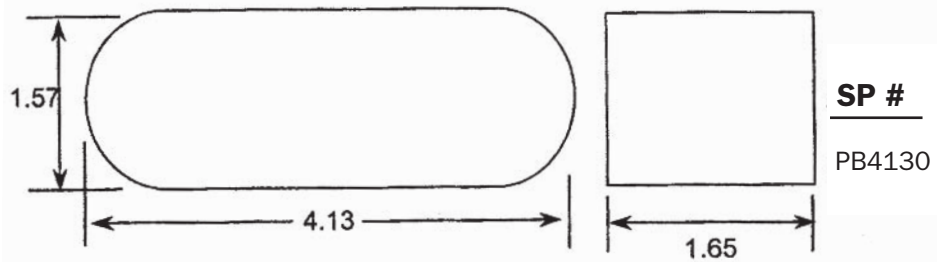
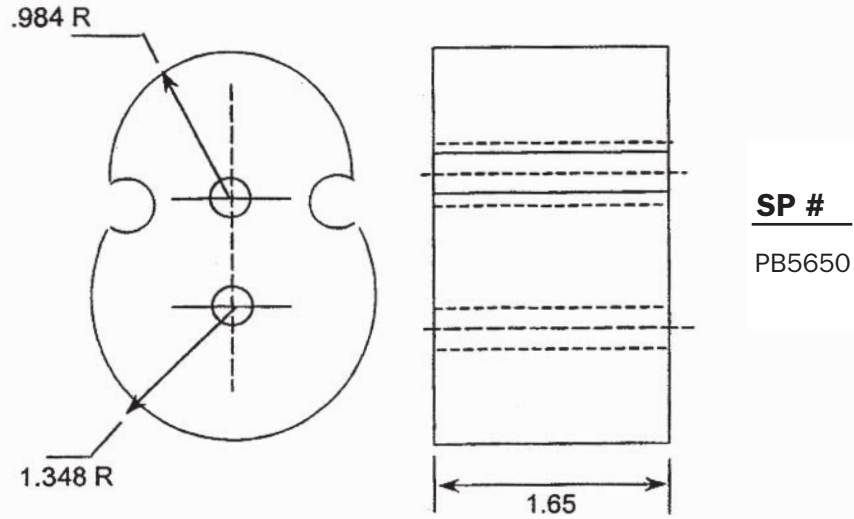


PART #
PB1317



PART #
PB1318

RF 34 NON-ASBESTOS PRESS BLOCKS





Non-Asbestos Industrial Friction Materials



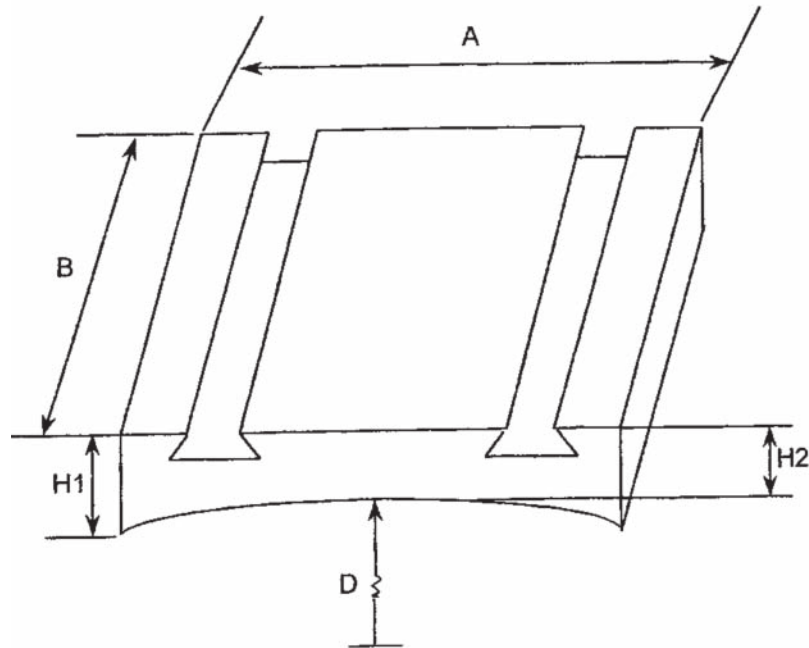
**PAPER MILL
FRICTIONS**

PAPER MILL FRICTIONS

Manufactured by:
SCAN-PAC MFG., INC.

N84 W13510 Leon Rd. • Menomonee Falls, WI 53051
Phone: 262.255.2525 • Fax: 262.255.2528
Email: sales@scanpac.com • website: www.scanpac.com

RF-38 NON-ASBESTOS PAPER MILL BLOCKS



SP-PN	MFGR	A	B	D	H1	H2	KL	D&C
PM8-775-16KL	Beloit	8	7 3/4	16	2.60	1 1/2	2	
PM8-775-20KL	Beloit	8	7 3/4	20	2 5/16	1 1/2	2	
PM8-775-24KL	Beloit	8	7 3/4	24	2 1/8	1 1/2	2	
PM8-950-24KL	Beloit	8	9 1/2	24	2 1/8	1 1/2	2	
PM4-7-10KL	Cameron	4	7	10	1 1/2	1 1/16	2	
PM4-7-10D	Cameron	4	7	10	1 1/2	1 1/16		4
PM-5-5-7D	Cameron	5	5	7	1 1/4	5/8		4
PM55-5-10KL	Cameron	5 1/2	5	10	1 1/4	5/8	2	
PM55-5-1CD	Cameron	5 1/2	5	10	1 1/4	5/8		4
PM7-9-18D	Cameron	7	9	18	2 1/8	1 1/2		4
PM45-700-16KL		4 1/2	7	16	1 5/8	1 3/8	2	
PM54-775-16KL		5 3/8	7 3/4	16	1 3/4	1 1/4	2	
PM55-763-16KL		5 1/2	7 5/8	16	1 11/16	1 1/4	2	
PM55-775-16KL		5 1/2	7 3/4	16	1 3/4	1 1/4	2	

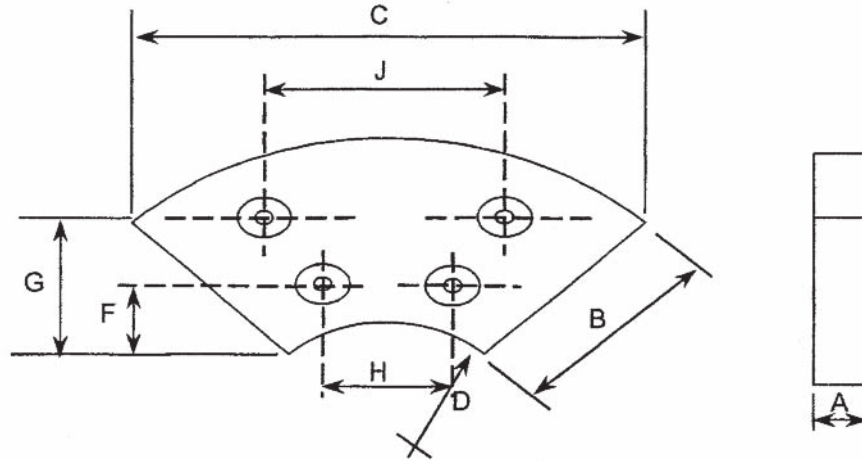
NOTE: All dimensions are in inches
 KL - Keylock
 D&C - Drilled & Counterbored

RF 38 NON-ASBESTOS LINING FOR JAGENBERG WINDERS

SP #	OEM#	SIZE	D.D.	D&C
PM0845	LRO 3830 91331	3/8 X 5 1/2W X 5 1/8LA	7.874E	
PM0927		1/4 X 2W X 7LA	9 1/4E	6
PM1040	53 3400 21006	.394 X 3.94W X 8.27LA	10E	10
PM1043		3/8 X 4W X 9 1/4LA	10E	10
PM1090		3/8 X 5 1/2W X 12 5/8LA	15 3/4E	
PM1640		3/8 X 5 1/2W X 13.30LA	16 1/2E	
PM2013		3/8 X 4W X 8 1/4LA	9 7/8E	

P/N	W	T	LA	D.D.	APP.	DC
PM1017	2	3/16	6 7/8	7 1/2E		6
PM1082	3	3/8	6 7/8	8E	Martin Roll Stand	8
PM1083	6 3/4	1 7/16	3 1/16	10E		
PM1084	8	3/4	4	18N		
PM1095	6	1	13 3/32	18E	Bel	2KL
PM2036	5 7/8	5/8	8 1/8	12E	Voith	10
PM2037	3	3	6 7/8	9 1/4E	Mill Roll Stand	8

RF 38 NON-ASBESTOS PAPER MILL SEGMENTS



	A	B	C	D	D&C	F	G	H	J
PM1014	3/4	2 9/16	4 9/16	6 7/8	4	13/32	2 7/32	1 15/16	2 15/16
PM1020	5/8	2 3/4	6 7/8	12 1/2	4	3/4	2 1/2	2 5/8	3 3/8
PM1021	7/16	1 3/8	4	5 1/4	4	19/32	1 1/8	1 9/16	1 7/8
PM1023	5/8	2 1/4	6 15/16	9 1/2	4	29/32	2 5/32	2 11/16	3 3/8
PM1066	1/2	2	5 1/4	6 5/8	4	13/16	1 13/16	2 3/32	2.594
PM1022*	1/2	1 3/8	4	5 1/4	4	19/32	1 1/8	1 9/16	1 7/8
PM1030	15/16	2 1/2	4.3	6 1/4	3				
PM2014	15/16	2 7/8	4.6	6 1/4	3				
PM2022	5/8	1 1/2	4.4	8 1/2					
PM2002	1/4	3 1/2	10.4	5	6				

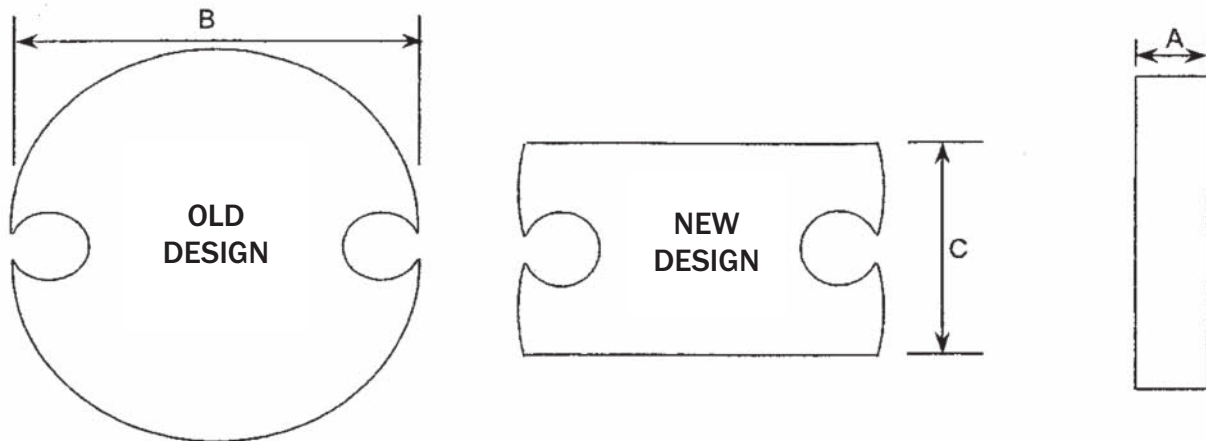
*PM2066 SAME AS PM1022 EXCEPT 2 DIFFERENT SIZE COUNTERBORES

*PM2068 SAME AS PM2066 EXCEPT COUNTERBORED FOR ALL RIVETS

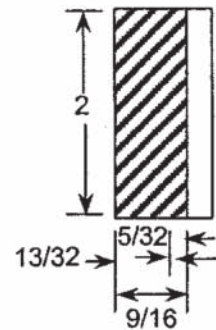
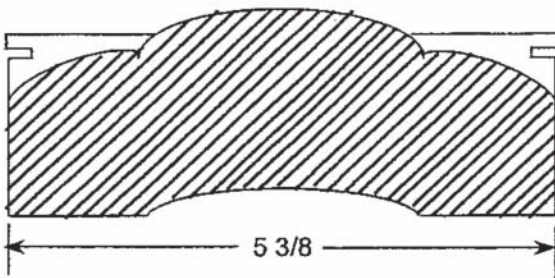
NOTE: ALL DIMENSIONS ARE IN INCHES

D & C - DRILLED & COUNTERBORED

RF 38 INTEGRALLY MOLDED PAPER MILL PADS



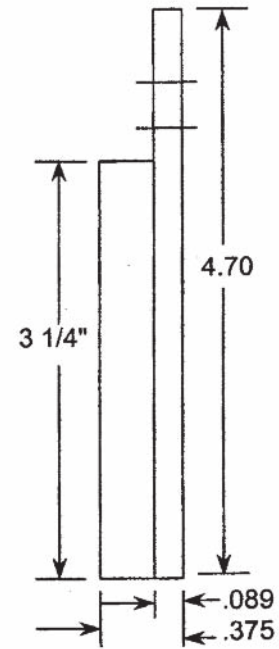
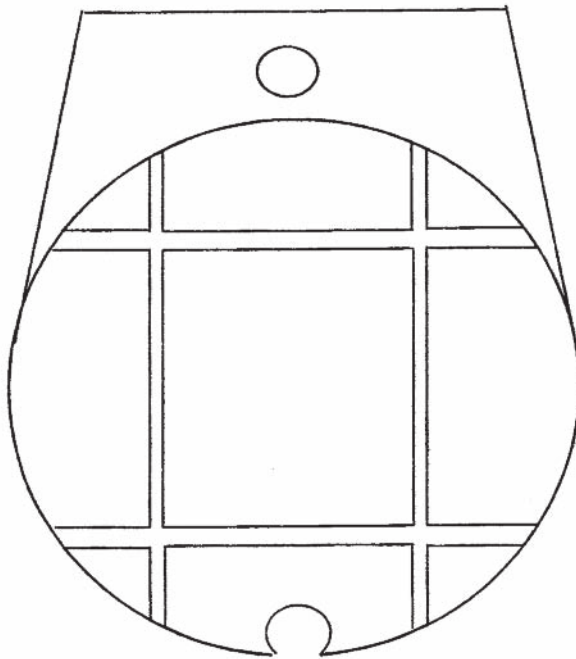
	A	B	C
PM 1069	.344	3.25	
PM 1070	.344	3.25	2.437



P/N
SP2000D1

NOTE: ALL DIMENSIONS ARE IN INCHES

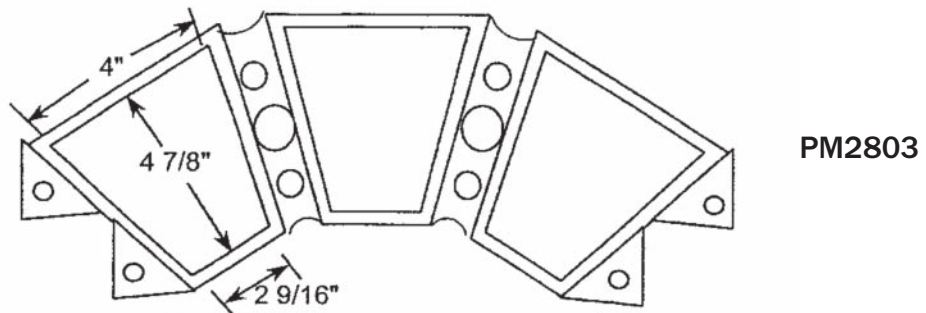
RF 34 INTEGRALLY MOLDED PAPER MILL PADS



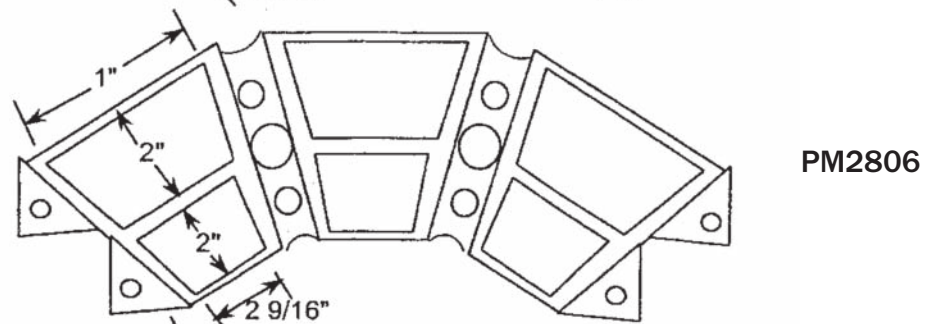
PART NUMBER

PM 2070

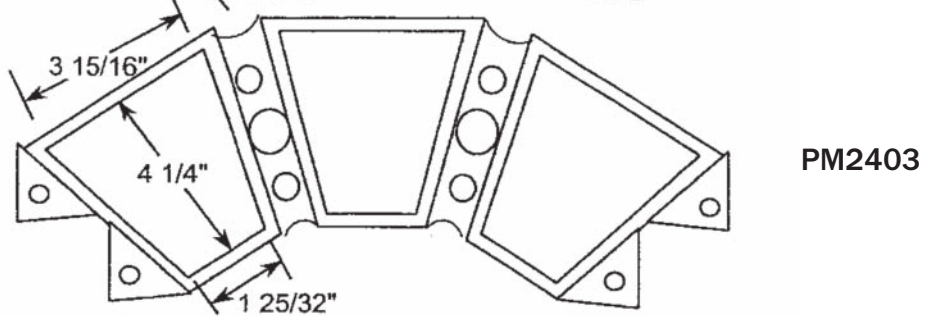
NON-ASBESTOS PAPER MILL FRICTIONS DISC PAD ASSEMBLIES



PM2803



PM2806



PM2403

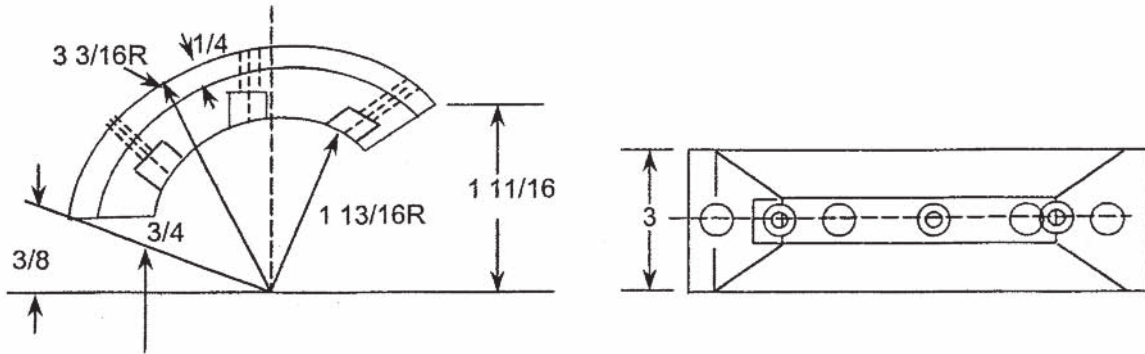
RF 53 - (High Friction) 1" Thick

RF 34 - (Medium Friction) 1" Thick

	DIA
PM2403	24"
PM2803	28"
PM2806	28"

All items are available in either 3 pcs/plate or 6 pcs/plate construction.

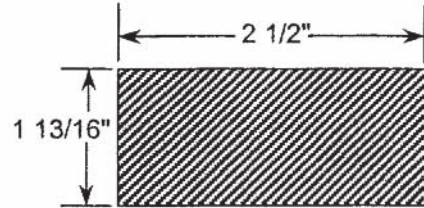
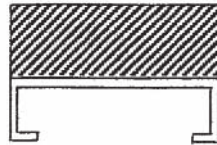
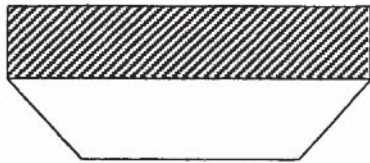
NON-ASBESTOS PAPER MILL FRICTIONS



RF 38 MILL ROLL BRAKE LINING

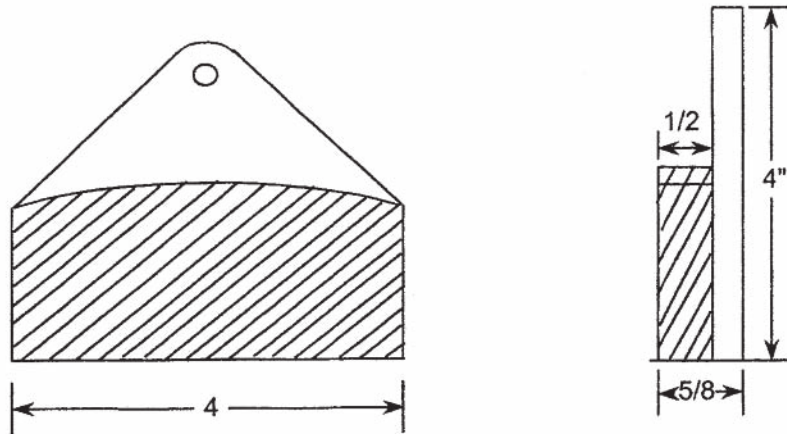
P/N	A	B	HOLE DIA
PM1081	7 3/4"	2 5/8"	11/32"
PM1091	8"	2 1/2"	7/16"
PM2005			

RF 38 PAPER MILL FRICTIONS TWIFLEX CLUTCH



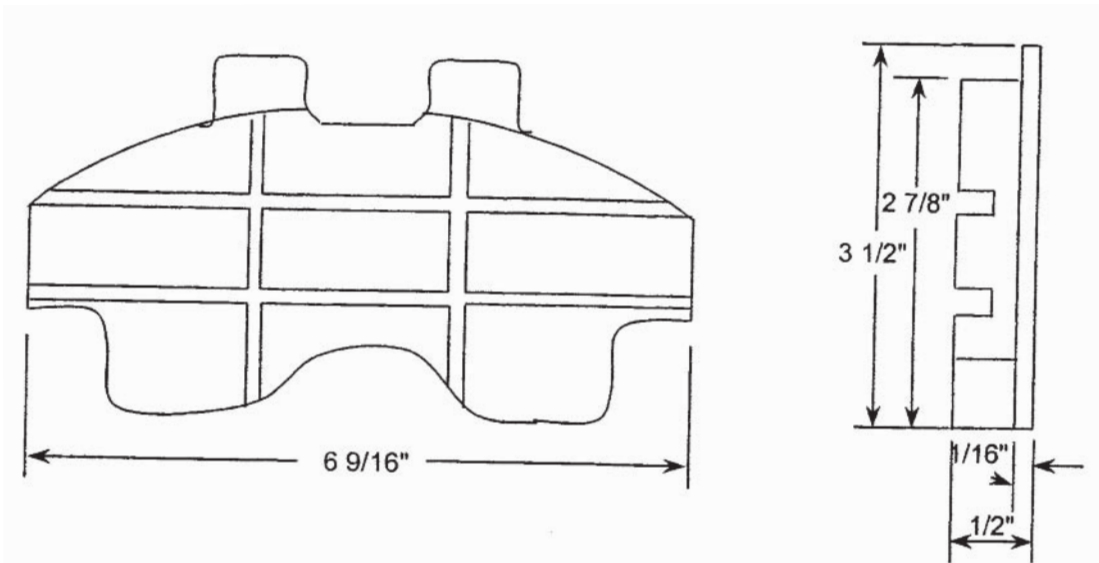
<u>P/N</u>	<u>OEM #</u>
PM2055	0780123

RF 34 INTEGRALLY MOLDED BRAKE PADS



P/N
PM2034

RF38 INTEGRALLY MOLDED PAD



PART #
PM2065



Non-Asbestos Industrial Friction Materials



OFF ROAD
EQUIPMENT

OFF ROAD EQUIPMENT

Manufactured by:
SCAN-PAC MFG., INC.

N84 W13510 Leon Rd. • Menomonee Falls, WI 53051
Phone: 262.255.2525 • Fax: 262.255.2528
Email: sales@scanpac.com • website: www.scanpac.com

RF38 OFF HIGHWAY VEHICLE BLOCKS STEERING AND WHEEL BRAKES

PART NO.	EQUIPMENT	THICK	WIDTH	LONG ARC	DRUM DIA	PCS/ SET
SW10201	CAT D2	0.25	3	6.75	10.5 E	5
SW10202	CAT 933	0.25	3	3.875	10.81 E	8
SW12201	CAT 12, 12D, 11C	0.187	3	10.375	12 N	2
SW12400	IH	0.375	2.5	3.875	12.18 E	4
SW13300D	CAT	0.25	3	1.5	13 E	6
SW14200	CATD 5,6	0.25	3	5.3125	14.87 E	6
SW14201	FIAT HD5, 6, 9, 11	0.25	4	6.70312	14.75 E	6
SW14300	FIAT HD5, 6,	0.25	2.5	9.78125	14.75 E	4
SW14403	KAMSTN5,6	0.375	4	9	14.5 E	10
SW15201	FIAT 545,645	0.25	3.5	16.75	16 N	2
SW15202	CLARK T6	0.25	3.5	10.2187	15 E	4
SW15203	CLARK T6	0.25	2.25	12.625	16 N	2
SW15204	CAT	0.25	2.5	10.625	16 N	4
SW15205	CAT 814	0.25	2.5	15.375	15 E	3
SW15300	CLARKYD LIFT85	0.312	2.25	15.5	15.25 N	4
SW15301	CLARK 55, 85, 175	0.312	2.5	17.25	16.25 N	4
SW15400	CLARK	0.375	2.75	5.3125	15.75 E	4
SW15403	FIAT 605	0.343	3	17.5312	16 N	4
SW15404	CAT	0.375	3	16.875	15.12 N	4
SW15405	CAT 922	0.375	3	16.25	16 N	4
SW15406	CLARK	0.375	4.5	16.5	16 N	4
SW16203	DART	0.25	3.5	16.875	17N	4
SW16300	FIAT	0.343	4	17.5312	17 N	2
SW16301	DART50G, 1500	0.312	4	17.75	17 N	4
SW16302	CAT	0.25	3.5	7.531	16.75 E	9
SW16303	FIAT	0.312	4.5	7.578	16.75 E	6
SW16304	DART50, 60, 70, 80, 352	0.312	5	9.5	17N	4
SW16305	CAT944	0.344	3	17.5	17 N	4
SW16307	FIAT 16, 20	0.281	4	17.125	17.25 N	4
SW16308	DART	0.312	3	13.25	17 N	4
SW16400	CAT 7, 9, 10	0.375	4	18.5	17.25 N	2
SW16403	ENC	0.375	3.875	15.875	17.25 N	4
SW16404	FIAT 6, 11, 12	0.375	5	15	17 N	1
SW16405	FIAT TL, 11, 12	0.375	5	18.25	17 N	1
SW16406	CLARK 109315TC	0.375	4	18.062	16.25 N	4
SW16409	CAT 12	0.375	4	18.406	17N	2

RF38 OFF HIGHWAY VEHICLE BLOCKS STEERING AND WHEEL BRAKES

PART NO.	EQUIPMENT	THICK	WIDTH	LONG ARC	DRUM DIA	PCS/ SET
SW17201	CAT	0.25	3.5	7.5	17 E	8
SW17403	TH	0.375	4	4.875	17E	9
SW17404	CAT 70, 75	0.375	4	7.75	17.62 E	4
SW17409	CAT 12, 14	0.375	3.875	18.406	17 N	2
SW17415	CAT	0.375	2.71	8.75	17.31	12
SW17416	CAT D8	0.375	4	4.109	17.62	6
SW17417	IH-HOUGH	0.375	3	4.875	17 E	9
SW17424D	CHAMPION	0.375	3.875	18.5	17.25 E	2
SW17501		0.5	6	3.578	17.62 E	13
SW18302	FIAT HD19,20,21	0.312	5	5.531	18.5 E	9
SW19201	CAT	0.25	3	6.5	19 E	8
SW19403	CAT	0.375	2.71	8.765	19.75 E	14
SW19403	CAT	0.375	2.71	8.765	19.75 E	14
SW19503	CAT	0.5	6	3.9375	19.5 E	14
SW19600		0.625	4	15.5	20 N	4
2033D	EUCLID, TEREX	0.25	5	13.875	12 N	2
659BD	I.H.C.	0.312	2.25	16.75	16 N	4
659D	I.H.C.	0.312	2.52	16.75	16 N	4

RE41 TRU-STOP SEGMENTS

S557	EUCLID	.25 THK X 9.875ID X 15.875OD	4
S559	EUCLID	.25 THK X 8.75ID X 13.75OD	4

RF 38 OFF ROAD FOR CATERPILLAR

MODEL	APPLICATION	OEM#	FMSI #	SP #	SIZE	D.D.
WHEEL LOADERS						
910	Wheel Brakes	2V9135		S102M		
		7K5057			Disc Pad	
		3V5465		S105M	Disc Pad	
920	Wheel Brakes	3V5465		S105M	Disc Pad	
	Wheel Brakes	2V9135		S102M	Disc Pad	
930	Or	4V8416		S111M	Disc Pad	
	Or	4V7061		S110M	Disc Pad	
	Wheel Brakes	3K3105			4X3/8X 17-3/4 (4)	
950	Or	2V9135		S102M	Disc Pad	17-1/4N
	Or	4V7061, 4V7062		S110M	Disc Pad	
966, 966C	Wheel Brakes	5K664		4601D	4x3/4x9-5/8 (8)	20-1/4N
980, 980C	Wheel Brakes (Early Models)	6K 1923		4470D	5x3/4x11 11/16(4)	20-1/4N
		2740V568			12-1/16(4)	
980 (Some)	Wheel Brakes	8-211		S540M	Expander Tube	
988A (Some)	Wheel Brakes	8-220		S56SM	Expander Tube Lining	
992 (Some)	Wheel Brakes	8-215		S560M	Expander Tube Lining	

TRACK LOADERS

	Steering Brakes					
922	(Dry)	5K5514		SW15404	3x3/8x16-7/8 (4)	15-1/8N
922G&D	Steering Brakes					
	(Dry)	5K6414		SW15405	3x3/8x16-1/4 (4)	16N
931, 931B	Steering Brakes					
931LPG	(Dry)	5H6030		SW13300	3x1/4x5-1/2 (6)	13E
933	Steering Brakes	6H1458				
	(Dry)	5H9321		SW10202	3x1/4x3-7/8 (8)	10-13/16E
941, 941B	Steering Brakes					
	(Dry)	9H4280		SW13300	3x1/4x5-1/2 (6)	13E
944, 944G&D	Steering Brakes					
	(Dry)	3K2039		SW16305	3x5/16x17-1/2 (4)	17N
955,955K,	Steering Brakes					
955L	(Dry)	9H4280		SW13300	3x1/4x5-1/2 (6)	13E

RF 38 OFF ROAD FOR CATERPILLAR

MODEL	APPLICATION	OEM#	FMSI #	SP #	SIZE	D.D.
TRUCK LOADERS						
966G&D	Steering Brake (Dry)	3K3105	4211		4x3/8x17-3/4 (4)	17-1/4N
977, 977K	Steering Brake (Dry)	5H2307		SW16302	3-1/2x1/4x7-17/32 (6)	16-3/4E
977, 977K 977L	Steering Brake (Dry)	5S1513		GGW	4x3/8 Diamond Groove	
983	Steering Brake (Dry)	3K3105	4211		4x3/8x17-3/4 (4)	17-1/4N
MOTOR GRADERS						
9 & 10	Wheel Brakes	5K664	4601D		4x3/4x9-5/8 (8)	20-1/4N
WHEEL DOZERS						
814	Wheel Brakes	1H7419		SW15205	2-1/4x1/4x15-3/8 (3)	15E
CABLE CONTROL UNITS						
21, 23 Rear Double Drum	Lining	1H7419		SW15205	2-1/2x1/4x15-3/8 (3)	15E
24 Front Single Drum	Lining	1H7419		SW15205	2-1/2x1/4x15-3/8 (3)	15E
25.27.29	Lining	1H7418		SW18202	3x1/4x9-1/4 (6)	18E
30 Front Single Drum	Lining	1H7418		SW18202	3x1/4x9-1/4 (6)	18E
126.127	Lining	1H7418		SW18202		18E
ROAD GRADERS						
7, 9, 10	Wheel Brakes	2D-210 2D-2111		SW16400	4x3/8x18-1/2 (2)	17-1/4N
	Parking Brake	1A-6057		SW12201	3x3/16x10-3/B (2)	
12, 12D	Wheel Brakes	4F4973		SW16409	4x3/8x18-13/32 (2)	12N
	Or	4H5467				17N
		4D4021		SW17409	3-7/8x3/8x18-13/32 (2)	17N
14	Wheel Brakes	4D2021		SW17409	3-7/8x3/8x18-13/32 (2)	17N

RF 38 OFF ROAD FOR CATERPILLAR

MODEL	APPLICATION	OEM#	FMSI #	SP #	SIZE	D.D.
ROAD GRADERS						
112	Parking Brake	1A6057		SW12201	3x3/16x10-3/8 (2)	12N
	Wheel Brakes	5H7929				
		5H7930		GGW	3x3/8	
212	Wheel Brakes	5H7929				
		5H7930		GGW	3x3/8	
SKIDDERS						
518, 528, 518, 528 Grapple Skidder		2V9135		S102M	Disc Pad	
772 Wagon	Lining	2S9229	4676D 1773D		8x3/4x12-15/16 (12)	30N
W-20 Wagon	Lining	2J6659	4480D		7x3/4x12-7/8 (4) 13-13/16 (4)	22N
WHEEL TRACTORS SCRAPERS						
DW10	Wheel Brakes	4D4021		SW16400	4x3/8x18-1/2 (2)	17-1/4N
	Or	5H1803	4471D		7x3/4x8-3/4(4) 8-5/8 (4)	18N
DW15,DW20,DW21	Wheel Brakes	2D3119	4462D		7x3/4x12 (8)	20-1/4N
456,470	Wheel Brakes	2J6659	4480D		7x3/4x12-7/8 (4) 13-13/16 (4)	22N
		2J5840				
482	Wheel Brakes	2J2604	4608AD		9x3/4x14-5/8 (8)	26N
		2J3892				
619	Wheel Brakes	2D3119	4462D		7x3/4x12 (8)	20-1/4N
	Or	2J6659	4480D		7x3/4x12-7/8 (4) 13-13/16 (4)	22N
619C	Wheel Brakes	2D3119	4462D		7x3/4x12 (8)	20-1/4N
621, 621B, 623, 623B,627,627B	Wheel Brakes	2J6659	4480D		7x3/4x12-7/8 (4) 13-13/16(4)	22N
630,632	Wheel Brakes	3J9376	4616AD		7x3/4x14-5/8 (8)	26N
631	Wheel Brakes	2J9391	4609D		7x3/4x14-3/8 (8)	26N
631B,633,633C 633D,637	Wheel Brakes	3J9376	4616AD		7x3/4x14-5/8 (8)	26N
637E	Wheel Brakes		OH2570D		9x3/4x14-1/8 (8)	26N
641 (Some)	Wheel Brakes	2J6659	4480D		7x3/4x12-7/8(4) 13-13/16 (4)	22N
641,651,641B,651B 650,660,666,657, 657B	Wheel Brakes	2J9229	4676D 17730		8x3/4x12-15/16 (12)	30N

NON-ASBESTOS OFF HIGHWAY FOR CLARK - MICHIGAN

MODEL	APPLICATION	OEM#	FMSI #	SP #	SIZE	D.D.
YARDLIFTS						
40, 60, 100, R40, 60	Wheel Brakes <i>Or</i> <i>Or</i>	FC5484 FC7425 102520	1164 1188		2x1/4x13-3/4 2x1/4x12-1/4(2) 14-1/2(2) 2-1/4x5/16x15-1/2	13-1/8 13-1/8 15-1/4N
150, 160, 200 CY180		830204 830201 858201	1198		4-1/2x3/8x 16-1/2	16N
CFY 150	Service Brakes	872215 (FF3142)		SW15404	4x3/8x16-7/8	16N
400	Service Brakes	107705 108163	4587D		5x3/4x10-5/16	20N
LOADERS						
45B	Wheel Brakes	244-252		SP105M	5/8x4-1/2x2-3/4 (Mat'l)	Disc Pad
55A I&II		944217		SW15301	2-1/2x5/16x17-1/4	16-1/4N
	Brakes (Front)	944217	SW15301	SW15301		16-1/4N
85A		I&III 944216II	SW15300	SW15300	2-1/2x5/16x17-1/4 2-1/4x5/16x15-1/4	15-1/4N
125&B	Front Brakes <i>Or</i>	107882 244-252	4317HD	SP105M	6x3/4x8-1/2 5/8x4-1/2x2-3/4 (Mat'l)	16-1/2N Disc Pad
125A Series I	Brakes Front & Rear Brakes	944217 118268		SW15301	2-1/2x5/16x17-1/4	16-1/4N
125A Series II	Front & Rear	118269	4211		4x3/8x18/364	17-1/4N
173A	Wheel Brakes	107705	4587D		5x3/4x10-5/16	20N
	Brakes					
175A & T175A1	Rear Front	4317AD 107882 109315TC			6x3/4x8-1/2 4x3/8x18-1/16	16-1/2N 16-1/4N
	<i>Or</i> Brakes					
	Front & Rear Brakes (Rear)	944217 109315		SW15301	2-1/2x5/16x17-1/4 4x3/8x17-29/32	16-1/4N 17N

NON-ASBESTOS OFF HIGHWAY FOR CLARK - MICHIGAN

MODEL	APPLICATION	OEM#	FMSI #	SP #	SIZE	D.D.
LOADERS						
175A						
Series II		116887	4587		5x3/4x10-3/8	20N
175B		244-214		SP102M	5/8x3-1/4x9(Mat'l)	Disc Pac
175C		840793		SP113M	7/8x9x3-1/4 (Mat'l)	Disc Pac
275	Wheel Brakes	126422	4648D		8x3/4x8-1/2	26N
		107705				
275A	Wheel Brakes	108163	4587D		5x3/4x10-5/16	20N
Series I	Or	111052				
		111051	4587AD		5x3/4x10-5/16	20N
275A	Wheel Brakes	112364				
Series II		108459	4630D		7x3/4x10-1/2	20N
	Brakes	108106, 108163			5x3/4x11-3/4	24N
	Front	108164				
375A, 380	Or	111059	4589AD		5x3/4x11-3/4	24N
	Rear	107705,108163	45870		5x3/4x10-5/16	20N
	Or	111051			5x3/4x10-5/16	20N
	Brakes	121570, 11187AD			8x3/4x9-5/64	
475	Front & Rear	122926				26N
	Brakes	109822				
480	Front & Rear	109476	4588D		7x3/4x11-3/4	24N
SCRAPERS						
	Brakes					
110	Front	107882	4317HD		6x3/4x8-1/2	16-1/2N
	Rear	111056			7x3/4x10-1/8	20N
110-11, 110B		111020	4603AD			
110HT		244-214		SP102M	5/8x3-1/4x9 (Mat'l)	Disc Pad
	Brakes	108459	4427BD		7x3/4x10-1/8	20N
210	Or	C10166-1	4585D		7x3/4x8	16-1/2N
	Or	11112D, 1110564	603AD		7x3/4x10-1/8	20N

NON-ASBESTOS OFF HIGHWAY FOR CLARK - MICHIGAN

MODEL	APPLICATION	OEM#	FMSI #	SP #	SIZE	D.D.
SCRAPERS						
310	Brakes	108163,108164	4589D		5x3/4x11-3/4	24N
	Or	111059	4589 AD		5x3/4x11-3/4	24N
TD6,T6K	Swing Brake	5942-1-2		GGW		
				RollGoods	3-1/2x1/4	10E
	Hoist, Crowd & Boom Hoist Brakes	5011-A		SW15202	3-1/2x1/4x10-7/32 (2)	15E
	Transmission			SW15203	2-1/4x1/4x12	7/8(2)
	Brake	202425			5/8 (2) 16	16N
TLCT-16, TLDT-20 TMDT-16, C-16	Hoist, Crowd & Boom Hoist Brakes	60741A-2A		GGW		
				RollGoods	3-1/2x5/16	18-1/2E
	Swing Brake	4604A-7A		GGW		
				RollGoods	3-1/2x1/4	13E
C16 Only	Crawler Brakes			GGW		
				RollGoods	4x5/16x51-3/4	17E

NON-ASBESTOS OFF HIGHWAY FOR CRANE - CARRIER

MODEL	APPLICATION	OEM#	FMSI #	SP #	SIZE	D.D.
964C	Front Brakes			SW16410	3-1/2x3/8x16-7/8(4)	16-1/4
	Rear Tandem Brakes		2032D		4x3/8x15-3/8(4)	15
966C, 1066C	Front Brakes			SW16201	2-1/4x1/4x12-5/8 (2) 16-7/8 (2)	16-1/4
	Rear Tandem Brakes		2032D		4x3/8x15-3/8 (4)	15
1064C	Front Brakes			SW16410	3-1/2x3/8x16-7/8 (4)	16-1/4
	Rear Tandem Brakes			SW16411	4x3/8x17-1/2 (4)	16-1/2
1364C	Front Brakes			SW16410	3-1/2x3/8x16-7/8 (4)	16-1/4
	Rear Tandem Brakes		1252D		5x1/2x15-7/8 (4)	15
1366C	Front Brakes			SW17412	4x3/8x13-5/8(2) 17-7/8(2)	17-3/8
	Rear Tandem Brakes			SW16411	4x112x17-1/4(4)	16-1/2
1564C	Front Brakes			SW16410	3-1/2x3/8x16-7/8 (4)	16-1/4
	Emergency Brakes		S557*		15-7/80Dx9-7/80Dx1/4	90° Sec
1566C	Front Brakes				SW17412 4x3/8x13-5/8 (2) 17-7/8 (2)	17-3/8
	Rear Tandem Brakes		1254D		5x1/2x16-7/8 (4)	16
2064C	Front Brakes				3-1/2x1/2x17-3/16(4)	16-1/4
	Rear Tandem Brakes		4509		7x3/4x8-1/2(8)	16/12
	Emergency Brakes		4311C S557*		15-7/80Dx9-7/8IDx1/4	90° Sec
2066C	Front Brakes			SW17412	4x3/8x13-5/8(2) 17-7/8(2)	17-3/8
	Rear Tandem Brakes		4311CD		7x3/4x8-1/2 (8)	16-1/2
2564C, 3064C	Front Brakes		4375D		4x1/2x15-5/8(8)	17-1/4
	Rear Tandem Brakes		4515D		7x3/4x8-1/8(4) 8-3/4(4)	16-1/2
	Emergency Brakes		S557*		15-7/800x9-7/8ID 1/4	90° Sec
2566C	Rear Tandem Brakes		4515D		7x3/4x8-1/8(4) 8-3/8(4)	16-1/2

NON-ASBESTOS OFF HIGHWAY FOR CRANE-CARRIER

MODEL	APPLICATION	OEM#	FMSI #	SP #	SIZE	D.D.
3564C	Front Brakes		4375D			17-1/4
	Rear Tandem Brakes		4515D		4x1/2x15-5/8 (8) 7x3/4x8-1/8(4) 8-3/8(4)	16-1/2
4084C, 4584C 5084C	Front Brakes		4375D		4x1/2x15-5/8 (8)	17-1/4N
	Rear Brakes		4625D		7x3/4x8-7/8 (4) 9 (4)	
600-12-1/2 Ton 1266C, 3564C 4084C, 4584C	Emergency Brakes		S557*		15-7/8ODx9-7/8IDx1/4	90° Seg.

*Tru Stop Segments Supplied in RF41 Material

NON-ASBESTOS OFF HIGHWAY FOR K-W DART

MODEL	APPLICATIONS	OEM#	FMSI #	SP #	SIZE	D.D.
EARLY MODELS						
20	Front Brakes	2740-U-S67	44470D		5x3/4x11-11/16(4) & 12-1/16(4)	20-1/4N
	Rear Brakes		44S5D		7-3/4x3/4x10-3/16	18-1/2N
		Or	4455AD		7-3/4x3/4x10-3/16	18-1/2N
40G	Front Brakes		1127		2-1/2x1/4x17	16N
	Rear Brakes		120		3x1/4x12-5/8(2) & 16-S7 /64(2)	16N
50,60G,700R	Front Brakes		1127		2-1/2x1/4x17	16N
	Rear Brakes			SW16304	5-5/15x9-1/2	17N
50G	Rear Brakes			SW16301	4x5/16x17-3/4	17N
80W,100W	Front Brakes			SW16308	3x5/16x13-1/4	17N
	Rear Brakes			SW16304	5x5/16x9-1/2	17N
252	Front Brakes		1127		2-1/2x114x17	16N
	Rear Brakes		4055D		4x3/4x9-3/16	17-1/4N
352	Front Brakes			SW16308	3x5/16x13-1/4	17N
	Rear Brakes			SW16304	5x5/16x9-1/2	17N
1000	Front Brakes		1127	SW16203	2-1/2x1/4x17	16N
	Rear Brakes			SW16303	3-1/2x1/4x16-7/8	16N
1500	Front Brakes				2-1/2x1/4x17	16N
	Rear Brakes		1127	SW16301	4xS/16x17-3/4	17N
LATE MODELS						
25S,2SSL,2SSL T, 20S,20T,30SL, 30S,35T,SOT	Front Brakes	2740U567 2740VS08 2740W569 2740XS70	4470D		5x3/4x11-11/16(4) 12-1/16(4)	20-1/4N
32SN	Front Brakes	AxlexD7S-3S	4470D		5x3/4x11-11/16 (4) 12-1/16 (4)	20-1/4N
	Rear Brakes	22-1261	4558D		9x3/4x12-1/8	20-1/4N
3SSL,37SL,70SL, 70SBOT	Front & Rear Brakes	22-20S4	4624D		9x3/4x14-7/8	25-1/4N

NON-ASBESTOS OFF HIGHWAY FOR K-W DART

MODEL	APPLICATION	OEM#	FMSI #	SP #	SIZE	D.D.
LATE MODELS						
50BDT	Brakes	22-1261	4558D		9x3/4x12-1/8	20-1/4N
100EDT	Front & Rear					
	Brakes	2740X1480	4619D		10x3/4x12-7/8	26N
2556	Front Brake		4470D		5x3/4x11-11/16 (4)	
					12-1/16 (4)	20-1/4N
	Rear Brakes	22-1261	4558D		9x3/4x12-1/8	26N
2661-85TON	Front Brakes	2740N3212	4678D		6x7/8x15-1/2	30N
	Rear Brakes	2740E2268	4677D			
		2740Y3369			10-7/8x15-1/2	30N
SL6500	Front & Rear	2740P1810				
	Brakes	2740N1808	4619D		10x3/4x12-7/8	26N
6650	Wheel Brakes	1280	4677D		10x7/8x15-1/2	30N
100TON	Front Brakes	2000Z467	4573D		5x3/4x10	26N
		20-2061				
	Rear Brakes	2740E2267	4677D		10x7/8x15-1/2	30N
	Or	2740N2354	4679D		12x7/8x15-1/2	30N
Model Unknown			4618D		12x1 x18-3/8	36N

NON-ASBESTOS OFF HIGHWAY FOR EUCLID

MODEL	APPLICATION	OEM#	FMSI #	SP #	SIZE	D.D.
FRONT						
L-30	Wheel Brakes	2331942	1254D		5x1/2x16-7/8	16N
	Or	2331994	1255D		6x1/2x16-7/8	16N
SCRAPERS						
S-7 Rear	Wheel Brakes					
Dump	Front & Rear	9021567	4354AD		6x3/4x11-3/16	17-1/4N
S-12, SS-18, 23TDT, 36 SH	Wheel Brakes					
	Front & Rear	9021568	4354AD		6x3/4x11-3/16	20N
S-18 Rear Dump 30LDT-131W-27LTD						
S24,TS24,TS18, SS40,34LDT, 31 lot	Wheel Brakes	9024401 9158069 9160440 9160441	4575D		5x3/4x15-7/16	26N
202, 301CH		4015989	4677D		10x3/4x15	30N
TRAILERS						
Series W-58,62, 72,73,83,84,93,99	Brakes Rear	9021567 103418	4056CD		5-1/2x3/4x9-3/16	17-1/4N
Series W-70,71, 73,74,92,102, 104,105	Brakes Rear	9021624 108183 105056	4367D		6-1/2x3/4x15-7/16	26N
Series W-78, 89, 91,94,95,96,97, 98,113,118,121, 122	Brakes Rear	9021568 118754 117017	4354AD		6x3/4x11-3/16	20N
TRUCKS						
F, FD, FDT	Rear Brakes	9021567 103418	4056CD		5-1/2x3/4x9-3/16	17-1/4N
	Front Brakes	902788-1 104080-1	4375D		4x112x15-5/8	17-1/4N

NON-ASBESTOS OFF HIGHWAY FOR EUCLID

MODEL	APPLICATION	OEM#	FMSI #	SP #	SIZE	D.D.
TRUCKS						
FFD Series 1,2,3,4						
LD Series	Front Brakes	111017			6x3/4x11-3/16	20N
LDT Series	& Some Rear	118654	4354AD			
LBT Series						
	Rear Brakes	108183	4367D		6-1/2x3/4x15-7/16	26N
	Or	103418	4056CD		5-1/2x3/4 x9-3/16	17-1/4N
11LBTL,						
13LDT	Wheel Brakes	9021624	4367D		6-1/2x3/4x15-7/16	26N
206, 208LDT	Front Brakes	9031089	4622D		7-1/2x3/4x11-3/16	20N
	Rear Brakes	4015989	4677D		10x7/8x15-1/2	30N
TD Series						
3,8,13,14,15,						
16,17,19,20,						
22,30,31,32,						
39,37,38,39,						
40,44,45,46,						
51,52,53,54,						
55,60,63						
1UD,1UDT	Rear Brakes	9021568	4354AD		6x3/4x11-3/16	20N
	Parking Brake	9020980	2033D		5x1/4x13-7/8	12N
5UD	Wheel Brakes	9027881	4575D		5x3/4x15-1/2	26N
65TD,66TD	Front Brake	9021568	4354AD		6x3/4x11-3/16	20N
69TD,71TD	Rear Brake	9207489	4622D		7-1/2x3/4x11-3/16	20N
		9031089				
74TD,201TD	Wheel Brakes	9031089	4622D		7-1/2x3/4x11-3/16	20N
FDT23,46,68						
70,71,74,77	Wheel Brakes	9021658	4354AD		6x3/4x11-3-16	20N
TRACTOR						
R-18(91FD)	Front Brakes	9027881	4375D		4x1/2x15-5/8	17-1/4N
	Rear Brakes	9021624	4367D		6-1/2x3/4x15-7/16	26N

NON-ASBESTOS OFF HIGHWAY FOR EUCLID

MODEL	APPLICATION	OEM#	FMSI #	SP #	SIZE	D.D.
TRACTOR						
R-27(65TD)	Wheel Brakes (Some)	9021449	4354AD		6x3/4x11-3/16	20N
	Wheel Brakes	9031089	4622D		7-1/2x3/4x11-3/16	20N
	Emergency Brake	9020980				
	Or	9030335	2033D		5x1/4x13-7/8	12N
RF-35	Front Brakes	9031089	4622D		7-1/2x3/4x11-3/16	20N
	Rear Brakes	4031092				
	Or				7x3/4x9-5/8	20-1/4N
R-50	Wheel Brakes	2740R	5192AD		10x3/4x12-7/8	26N
R-85	Front Brake	4031093	4618D		8x3/4x12-7/8	26N
	Or	2740-M-5788				
	Rear Brake	4015989				
	Or	4031099	4677D		10x7/8x15-1/2	30N
TRU STOP EMERGENCY*						
LD4,6,7, TD3,15,16,17	Brake	C33				
		9040830	S557		15-7/80Dx9-7/8IDx1/4	
		9029137			4-90 SEG.	90 SEG.
	Or	C134				
		9040807	S559		13-3/40Dx8-3/4IDx1/4	
		9020980			4-90 SEG.	90 SEG.
	Emergency Brake	4005848		SW16403	3-7/8x3/8x15-7/8	17-1/4N

*TRU STOP SEGMENTS FURNISHED IN RF 41 MATERIAL

RF 38 STEERING & WHEEL BRAKES FOR FIAT-ALLIS

MODEL	APPLICATION	OEM#	SIZE	D.D.	SP #
TL16, TL20	Wheel Brakes	73051852	4x9/32x17-1/8 (4)	17-114N	16307
TL30, TL30D, TL40, TL40D	Wheel Brakes	73033355	5x3/4x11-3/4 (4) & 12 (4)	20-1/4N	4470D
D (Gas & Diesel)	Wheel Brakes				
D-45	D Model	70094337	2-1/4x1/4x12-1/4 (2) & 15 (2)	14N	4470D
545	Front Brakes	73028153			
		73068575	3-1/2x1/4x16-3/4 (2)	16N	15201
545	Rear Brakes	73026450	2-1/4x1/4x11-1/16 (2) & 16-9/64 (2)	16N	1258D
545H	Front & Rear Brakes	73028153 73068575	3-1/2x1/4x16-3/4 (2)	16N	15201
605B	Front & Rear Brakes	73058675	3x11/32x17-17/32 (4)	16N	15403
645	Front Brakes	73051852	4x9/32x17-1/8 (2)	17-1/4N	16307
645	Or	73055351	4x11/32x17-17/32 (2)	17N	16300
645	Front Brakes	73028153	3-1/2x1/4x16-3/4 (2)	16N	15201
645	Or	73055351	4x11/32x17-17/32 (2)	17N	16300
645B	Front & Rear Brakes	73055351	4x11/32x17-17/32 (2)	17N	16300
745	Front Brakes	73058532	4x3/4x9-7/8 (2) & 11 (2)	20-114N	4636D
745	Rear Brakes	73048788	4x3/4x10-1/16 (8)	20-1/4N	4601D
745B	Front Brakes	73058532	4x3/4x9-7/8 (2) & 11 (2)	20-1/4N	4636D
745B	Rear Brakes	73048788	4x3/4x10-1/16 (8)	20-1/4N	4601D
	Front & Rear				
745H	Brakes	73058582	4x3/4x9-7/8 (4) & 11 (4)	20-1/4N	4636D
	Front & Rear				
745H-B	Brakes	73058532	4x3/4x9-7/8 (4) & 11 (4)	20-1/4N	4636D

RF 38 STEERING & WHEEL BRAKES FOR FIAT-ALLIS

MODEL	APPLICATION	OEM#	SIZE	D.D.	SP #
TS160, TS200	Wheel Brakes	70172803			
TS260		-4 -5	7x3/4x5-3/8 (4) & 8-3/8 (4)	18N	4471D
T260 (Diesel)					
TR260, TS260	Wheel Brakes	70179816	7x3/4x11-11/16(4) 12-1/16(4)	20-1/4N	4462D
TS360, TR360	Wheel Brakes	70171531			
		70171532	7x3/4x12-7/8(4) & 13-13/64(4)	22N	4480D
TS460, TS560	Tractor Brakes	70185682			
		70189341	8x3/4x12-15/16 (8)	26N	4618D
552,562	Tractor & Scraper Brakes	70185682			
		70189341	8x3/4x12-15/16 (8)	26N	4618D

NON-ASBESTOS OFF HIGHWAY FOR IHC-HOUGH

MODEL	APPLICATION	OEM#	FMSI #	SP #	SIZE	D.D.	
PAYHAULERS							
95	Front Brakes	303140R3					
		303141R1	4470D		3/4x5x11-11/16 (4)		
						12-1/16 (4)	20-1/4N
	Rear Brakes	698704R1					
		698683R1					
		698692R1					
		698661R1	4462D		3/4x7x12 (8)	20-1/4N	
100	Front Brakes	2740-Z1768					
		2740-E1773	4629D		3/4x5x9-5/8 (8)	20-1/4N	
	Rear Brakes	2740-B1250	4600D		3/4x7x10-3/8 (8)	20-1/4N	
180	Front & Rear Brakes						
		2740-B1250	4600D		3/4x7x10-3/8 (8)	20-1/4N	
D400(Some)							
D500	Wheel Brakes	2740-G1827	4642D		3/4x5x11-3/16(4)		
					11-13/16(4)	22	
		Wheel Brakes	185682, 76774-691				
		191531H	4618D		3/4x8x12-7/8 (8)	26	
H400	Wheel Brakes	4722-C-471	4618AD		3/4x8x12-7/8 (8)	26	
412		625005C91	4375D		1/2x4x15-5/8 (8)	17-1/4N	
431,433			4601D				
442,444		603800C91	Or		3/4x4x9-5/8 (8)	20-1/4N	
			4633D		3/4x7x9-5/8 (8)	20-1/4N	
560	Wheel Brake	198336-H1					
		2740G-1827	4642D		3/4x5x11-3/16 (4)		
					11-13/16 (4)	22	
560B,570	Integrally	1135094C2					
	Molded Disc	113509SC2		SP110			
Models	Integrally						
Unknown	Molded Disc	939097C2		SP102			

NON-ASBESTOS OFF HIGHWAY FOR IHC-HOUGH

MODEL	APPLICATION	OEM#	FMSI #	SP #	SIZE	D.D.
2T-55	Front & Rear	698661R1				
	Brakes	698662R1	4462D		3/4x7x12 (8)	20-1/4N
4T-55	Front Brakes	301547R1	4470D		3/4x5x11-11/16 (4)	
					12-1/16 (4)	20-1/4N
	Rear Brakes	301548R1	4462D		3/4x7x12 (8)	20-1/4N
2T-75	Front & Rear	291726R1				
	Brakes	291712R1	4480D		3/4x7x12-7/8 (4)	
					13-13/16 (4)	22
POWER UNITS						
U1	Engine Clutch	2633707-R91	S757	GT72503	7/16x3-5/8x7-1/4	
					42 Teeth 3-120 Seg.	
U6,U6A,UD6	Power Take-Off	37352DX	S1078	GT10703	7/16x5-1/2x10-3/4	
					63 Teeth 3-120 Seg.	
U9,UD9A	Power Take-Off	67928D	S1251	GT12203	7/16x6-1/4x12-1/4	
UD14					72 Teeth 3-120 Seg.	
U10	Engine Clutch	37352DX	S1078	GT10703	7/16x5-1/2x10-3/4	
		Heavy Duty			63 Teeth 3-120 Seg.	
UD14A,UD16	Power Take-Off	38631DX	S1534	GT15102	5/8x9-1/4x15.115/15.125	
					59 Teeth 3-120 Seg.	
U169,U175, U220,U240	Power Take-Off	39104DX	S882	GT87503	7/16x5-1/2x10-3/4	
					51 Teeth 3-120 Seg.	
UC221,UC236	Power Take-Off	37352DX	S1078	GT10703	7/16x5-1/2x10-3/4	
					63 Teeth 3-120 Seg.	
UB220	Power Take-Off	306377R1	S882	GT87503	7/16x5-3/8x8-3/4	
		Regular Duty			51 Teeth 3-120 Seg.	
	Power Take-Off	37352DX	S1078	GT10703	7/16x5-1/2x10-3/4	
		Heavy Duty			63 Teeth 3-120 Seg.	

NON-ASBESTOS OFF HIGHWAY FOR IHC-HOUGH

MODEL	APPLICATION	OEM#	FMSI #	SP #	SIZE	D.D.
UC263,UC282	Power Take-Off	67928D	S1251	GT12203	7/16x6-1/4x12-1/4 72 Teeth 3-120 Seg.	
U264,UD264 U264-6	Power Take-Off	37352DX	S1078	GT10703	7/16x5-1/2x10-3/4 53 Teeth 3-120 Seg.	
UB264	Power Take-Off Regular Duty Power Take-Off	306372R1 67928D Heavy Duty	S1079 S1251	GT10703 GT12203	7/16x5-1/2x10-3/4 63 Teeth 3-120 Seg. 7/16x6-1/4x12-1/4 72 Teeth 3-120 Seg.	
B269	Clutch	373520X	S1078	GT10703	7/16x5-1/2x10-3/4 63 Teeth 3-120 Seg.	
PU-U-269	Regular Duty Clutch	 67928D Heavy Duty	 S1251	 GT12203	 7/16x6-1/4x12-1/4 72 Teeth 3-120 Seg.	
U281,U281-4	Power Take-Off	67928D	S1251	GT12203	7/16x6-1/4x12-1/4 72 Teeth 3-120 Seg.	
U282,U308	Clutch Clutch	37352DX Regular Duty 67928DX Heavy Duty	S1078 S1251	GT10703 GT12203	7/16x5-1/2x10-3/4 63 Teeth 3-120 Seg. 7/16x6-1/4x12-1/4 72 Teeth 3-120 Seg.	
UD350,UD370	Power Take-Off	67928D	S1251	GT12203	7/16x6-1/4x12-1/4 72 Teeth 3-120 Seg.	

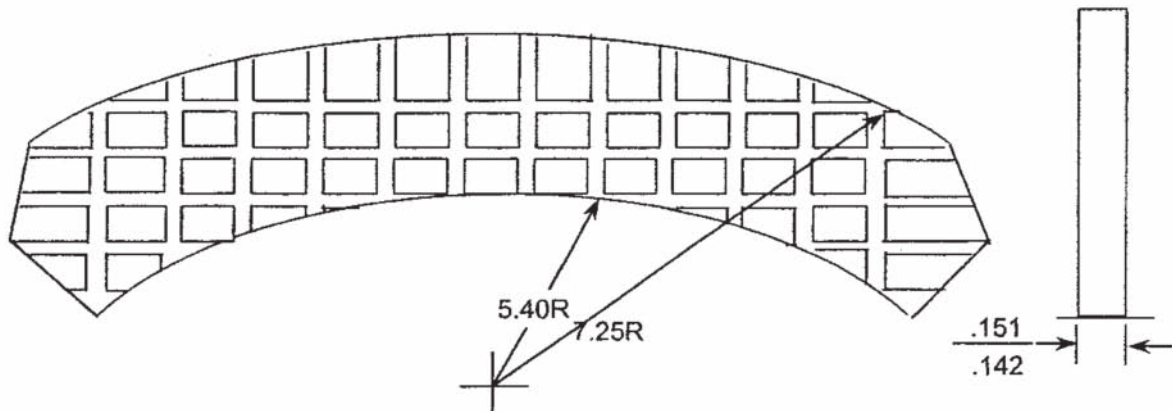
NON-ASBESTOS OFF HIGHWAY FOR IHC-HOUGH

MODEL	APPLICATION	OEM#	FMSI #	SP #	SIZE	D.D.
U372,U406	Power Take-Off	37352DX	S1078	GT10703	7/16x5-1/2x10-3/4	
U450	Power Take-Off	Regular Duty 67928D Or Regular Duty	S1251	GT12203	63 Teeth 3-120 Seg. 7/16x6-1/4x12-1/4 72 Teeth 3-120 Seg.	
U372 (Only)	Power Take-Off	67928D Heavy Duty	S1251	GT12203	7/16x6-1/4x12-1/4 72 Teeth 3-120 Seg.	
406,U450	Power Take-Off	38631DX Heavy Duty	S1534	GT15102	5/8x9-1/4x15.115/15.125 59 Teeth 3-120 Seg.	
UV401,UV461	Power Take-Off	67928D	S1251	GT12203	7/16x6-1/4x12-1/4	
UV549					72 Teeth 3-120 Seg.	
501	Power Take-Off	67928D Regular Duty	S1251	GT12203	7/16x6-1/4x12-1/4 72 Teeth 3-120 Seg.	
	Power Take-Off	38631DX Heavy Duty	S1534	GT15102	5/8x9-1/4x11.115/15.125 59 Teeth 3-120 Seg.	
UD525,UD554	Power Take-Off	38631DX	S1534	GT15102	5/8x9-1/4x15.115/15.125 59 Teeth 3-120 Seg.	

NON-ASBESTOS OFF HIGHWAY FOR TEREX

MODEL	APPLICATION	OEM#	FMSI #	SP #	SIZE	D.D.
SCRAPERS						
5-7	Brakes Front & Rear	9021567	4056CD		5-1/2x3/4x9-3/16 (8)	17-1/4
S-12,SS-12, TS-14,TS14B TTS-14	Brakes Front & Rear	9021568	4354AD		6x3/4x11-3/16 (8)	20
S-18,S-24,S28, SS-18,SS-24, SS-28,SS-33, SS40,TS-18, TS-24,TTS-24	Brakes Front & Rear	9024401	4575D		5x3/4x15-1/2(8)	26
72-31B,72-51B, 72-61	Integrally Molded Disc Pad Brakes	9065346		SP102M		
72-51A	Front & Rear	9021568	4354AD		6x3/4x11-3/16 (8)	20
72-81	Brakes	9021624	4367D		6-1/2x3/4x15-7/16 (8)	26
TRUCKS						
33-03	Front Brakes	9027881	4375D		4x1/2x15-5/8 (8)	17-1/4
	Rear Brakes	9021568	7354AD		6x3/4x11-3/16 (8)	20
	Parking Brakes	9030335	2033D		5x1 14x13-7/8 (2)	12
33-03B	Front Brakes	3027881	4375D		4x1/2x15-5/8 (8)	17-1/4
33-07	Front Brakes	9024401	4575D		5x3/4x15-1/2 (8)	26
	Rear Brakes (Some)			16732D OH2670D	10x3/4x15-1/2 (8)	26-1/2
	Brakes	9053901				
33-09	Front & Rear	9053901	17777D	OH2670D	10x3/4x15-1/2 (8)	26-1/2
33-11A	Front Brakes	9049251 224052073		OH2880D	8x7/8x14-1/2(8)	28
	Rear Brakes	9049263 2240T2074		OH2881D	10x7/8x14-1/2(8)	28
33-15A	Front Brakes		4687D 17743 4689D		12x1x13 (12)	42
	Rear Brakes		17745		14x1x13 (12)	42
33-65	Brakes Front & Rear		4677D 17731D		10x7/8x15-3/16 (8)	30
33-TOT	Brakes	9006522		OH2370D	7x3/4x12-7/8 (8)	21-1/2

242-OR STEERING CLUTCH LINING



S - P PART NO	MFG	MODEL
SC 31012	I-H	TD7, TD8

SCAN PAC

MFG., INC.

N84 W13510 Leon Rd.
Menomonee Falls, WI 53051
Phone: 262.255.2525
Fax: 262.255.2528
Email: sales@scanpac.com
website: www.scanpac.com

