

Denmark: Jernbanevej 9, DK-5882 Vejstrup  
 Germany: Kirchensrasse 42, D-32257 Bünde  
 China: 408-5, No. 1765 Chuan Gao Road, Pudong, 201206 Shanghai

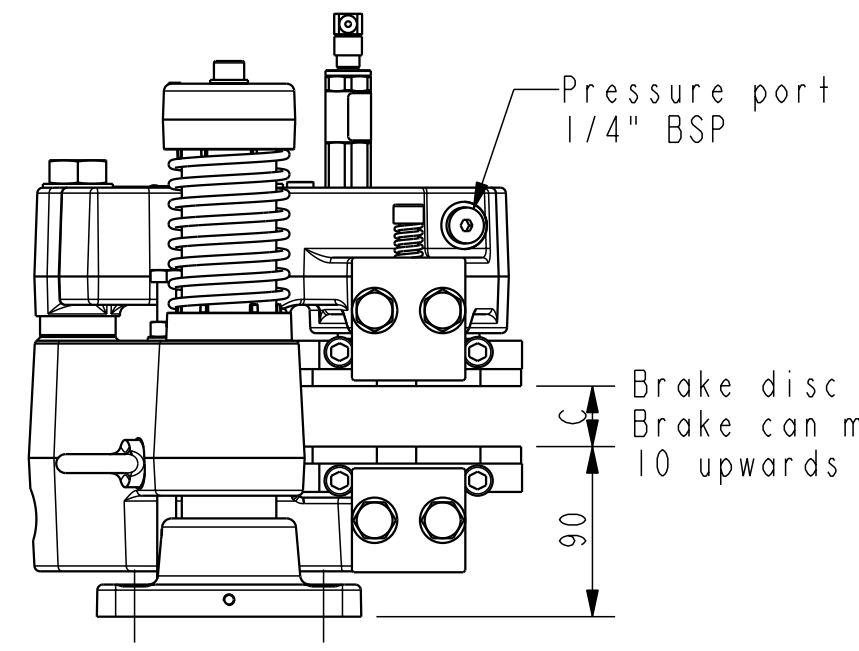
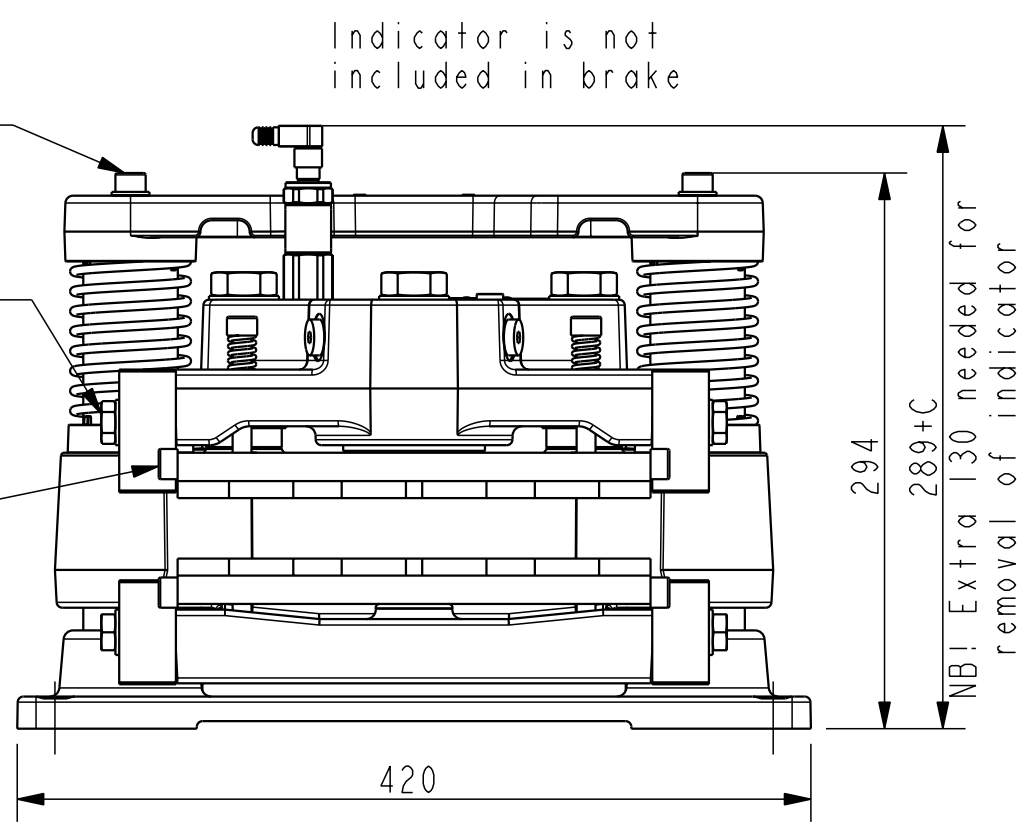
This drawing / document remains the property of Svendborg Brakes A/S and must not be copied without our prior written permission, and the contents thereof must not be disclosed to any third party, nor be used for any unauthorized purpose. Legal action will be taken in the event of contravention.

A B C D E F

Bolts M10 grade 8.8  
 Mv=44±6 Nm  
 Dry

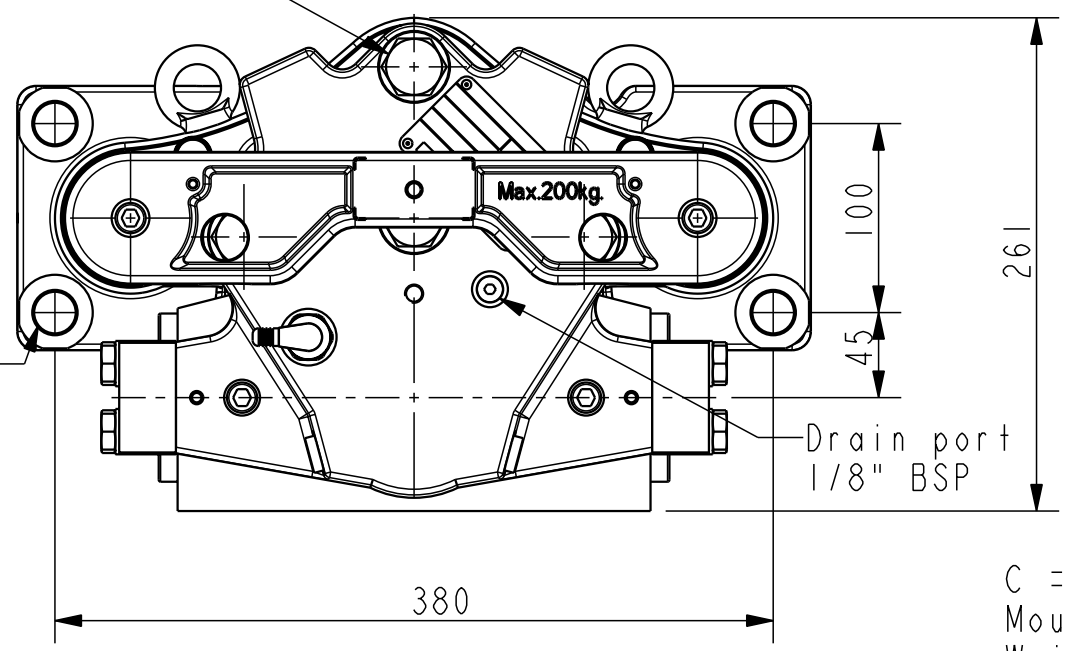
Bolts M12 grade 10.9  
 Mv=91±8 Nm  
 with MoS2

Bolts M8 grade 8.8  
 Mv=23±2 Nm  
 Dry

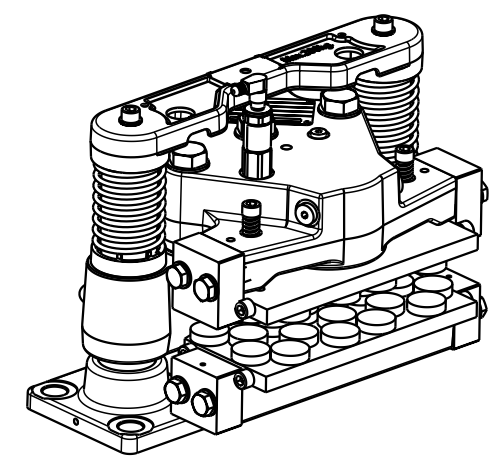


Brake disc thickness = 20-40  
 Brake can move on shafts:  
 10 upwards and 5 downwards

Bolt M20 grade 8.8  
 Mv=305±20 Nm  
 With MoS2



Bolts M20 grade 8.8 (4x)  
 Mv=305±20 Nm  
 With MoS2  
 (Not included in brake)



C = Brake disc thickness  
 Mounting drawing, see drawing 490-2334  
 Weight: Approx 73 kg incl. brake pads

Rev. A 92924 COT 15.07.2005  
 Rev. B 95319 SFR 05.07.2011

Svendborg Brakes A/S reserves the right to revise this document without prior notification or obligation

Tolerances for corner radii, angles, chamfers and threads according to: DS/EN 22768 - m		✓ Indicates Ra in μm	All dimensions in mm	Accep. for prod. by
Drawn by R.R.Hansen	Date: 15.06.2005	Description BSAK 300 MS30S-200		Drw+Design checked by
				Revision B
<b>SVENDBORG BRAKES</b>		Drawing No. 490-3443-801		Scale 1:4 (A3)
				Sheet 1 of 1 sheets

**CONFIDENTIAL**

RELEASED  
by sfr

1

2

3

4