

Belted Drives and Sheaves

TB Wood's

Belted Drives
Chambersburg, PA - USA
1-888-829-6637 – Press #5
For application assistance:
1-888-829-6637 – Press #7

Couplings

Ameridrives Couplings

Mill Spindles, Ameriflex, Ameridisc
Erie, PA - USA
1-814-480-5000
Gear Couplings
San Marcos, TX - USA
1-800-458-0887

Ameridrives Power Transmission

Universal Joints, Drive Shafts, Mill Gear Couplings
Green Bay, WI - USA
1-920-593-2444

Bibby Turboflex

Disc, Gear, Grid Couplings, Overload Clutches
Dewsbury, England
+44 (0) 1924 460801
Boksburg, South Africa
+27(0) 11 918 4270

Guardian Couplings

Engineered Flywheel Couplings, Engine Housings and Pump Mounts, Flexible Shaft Couplings
Michigan City, IN - USA
1-219-874-5248

Huco Dynatork

Precision Couplings and Air Motors
Hertford, England
+44 (0) 1992 501900
Chambersburg, PA - USA
1-888-829-6637

Couplings Cont.

Lamiflex Couplings

Flexible Couplings, Bearing Isolators, and Coupling Guards
Cotia, SP - Brasil
+55 (11) 4615-6300

TB Wood's

Elastomeric Couplings
Chambersburg, PA - USA
1-888-829-6637 – Press #5
For application assistance:
1-888-829-6637 – Press #7
General Purpose Disc Couplings
San Marcos, TX - USA
1-888-449-9439

Electromagnetic Clutches and Brakes

Inertia Dynamics

Spring Set Brakes; Power On and Wrap Spring Clutch/Brakes
New Hartford, CT - USA
1-800-800-6445

Matrix International

Electromagnetic Clutches and Brakes, Pressure Operated Clutches and Brakes
Brechtin, Scotland
+44 (0) 1356 602000
New Hartford, CT - USA
1-800-825-6544

Warner Electric

Electromagnetic Clutches and Brakes
New Hartford, CT - USA
1-800-825-6544
For application assistance:
1-800-825-9050
Saint Barthélemy d'Anjou, France
+33 (0)2 41 21 24 24
Precision Electric Coils and Electromagnetic Clutches and Brakes
Columbia City, IN - USA
1-260-244-6183

Engineered Bearing Assemblies

Kilian Manufacturing

Engineered Bearing Assemblies
Syracuse, NY - USA
1-315-432-0700

Gearing

Bauer Gear Motor

Geared Motors
Esslingen, Germany
+49 (711) 3518-0
Somerset, NJ - USA
1-732-469-8770

Boston Gear

Enclosed and Open Gearing, Electrical and Mechanical P.T. Components
Charlotte, NC - USA
1-800-825-6544
For application assistance:
1-800-816-5608

Nuttall Gear and Delroyd Worm Gear

Worm Gear and Helical Speed Reducers
Niagara Falls, NY - USA
1-716-298-4100

Heavy Duty Clutches and Brakes

Industrial Clutch

Pneumatic and Oil Immersed Clutches and Brakes
Waukesha, WI - USA
1-262-547-3357

Svendborg Brakes

Industrial Brakes and Brake Systems
Vejstrup, Denmark
+45 63 255 255

Twiflex Limited

Caliper Brakes and Thrusters
Wichita Falls, TX - USA
1-844-723-3483
Twickenham, England
+44 (0) 20 8894 1161

Heavy Duty Clutches and Brakes Cont.

Wichita Clutch

Pneumatic Clutches and Brakes
Wichita Falls, TX - USA
1-800-964-3262
Bedford, England
+44 (0) 1234 350311

Linear Products

Warner Linear

Linear Actuators
Belvidere, IL - USA
1-800-825-6544
For application assistance:
1-800-825-9050
Saint Barthélemy d'Anjou, France
+33 (0)2 41 21 24 24

Overrunning Clutches

Formsprag Clutch

Overrunning Clutches and Holdbacks
Warren, MI - USA
1-800-348-0881 – Press #1
For application assistance:
1-800-348-0881 – Press #2

Marland Clutch

Roller Ramp and Sprag Type Overrunning Clutches and Backstops
South Beloit, IL - USA
1-800-216-3515

Stieber Clutch

Overrunning Clutches and Holdbacks
Heidelberg, Germany
+49 (0) 6221-30470

For information concerning our sales offices in Asia Pacific check our website www.altramotion.com.cn



www.delroyd.com

2221 Niagra Falls Boulevard
Niagra Falls, NY 14304 - USA
716-298-4100
Fax: 716-298-4101

Special Application Speed Reducers



 **Delroyd**[®]
Worm Gear
An Altra Industrial Motion Company

DELROYD... MATCHING YOUR REQUIREMENTS

Series BX Conveyor Drive Units

Delroyd BX Series Speed Reducers are specially designed with high overhung load capacities required by the Food and Material Conveying Industries.

The BX Units incorporate the Delroyd involute helicoid thread form which permits simple, accurate gearing adjustments. The extended bearing span allows for higher overhung loads and allows selection of a smaller drive unit for a given load.

Our Standard Drywell Feature provides positive protection against leakage of oil into the output bearings, minimizing the possibility of product contamination.

Delroyd BX Series Conveyor Drives are available in single or double reduction (Helical-Worm or Double-Worm), with the output shaft in the Up or Down configuration.

- Single, Double and Helical Worm Reductions
- 5" to 9" Center Distances
- Ratio of 5:1 to 4900:1
- Standard Drywell Construction
- Larger Bearings and Bearing Span for Increased Overhung Load Capacity
- Large Diameter Alloy Steel Output Shaft Drilled and Tapped for Conveyor Applications
- Mounting Flange Interchangeable with Conveyor Industry Standards

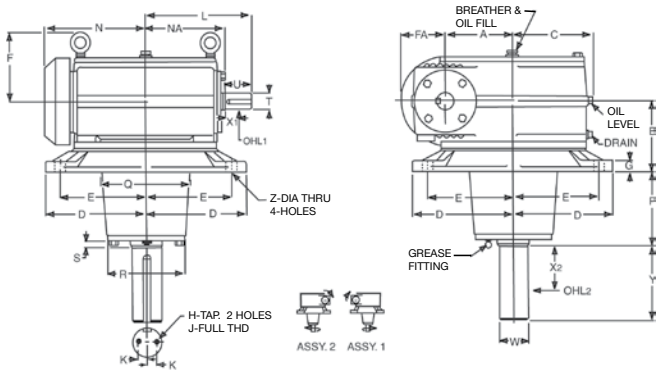


For Mechanical Ratings, See Catalog P-7000-DWG

CALL OUR TOLL-FREE APPLICATION HOTLINE: 800-432-0121

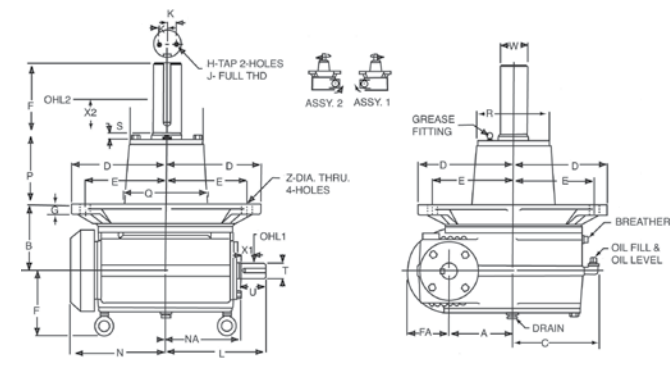
Single Reduction Reducers

Type Vbx Output Shaft Down



Size	OHL ₁ LBS.	OHL ₂ LBS.
VBX-50	540	3,000
VBX-60	710	5,000
VBX-70	770	10,000
VBX-90	890	14,000

Type Vbx Output Shaft Up

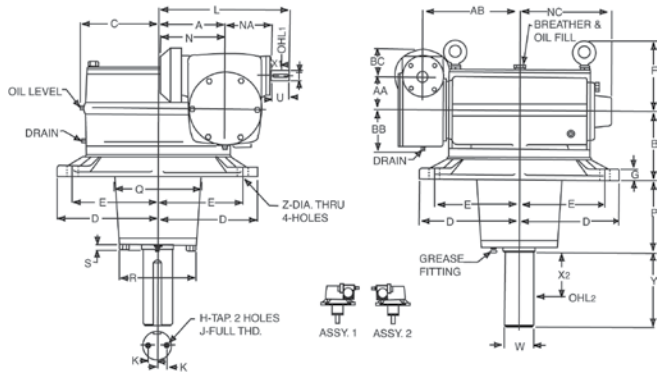


Size	A	B	C	D	E	F	FA	G	H-TAP	J	K	L	N	NA	P	Q	R
VBX-50	5	7	6-5/8	8	7	6-7/8	3-11/16	1-1/4	3/8-16	1	3/4	8-3/4	8-5/8	6-7/8	5	6-3/4	6-1/16
VBX-60	6	7-3/4	7-3/4	9-3/4	8-1/2	7-1/4	4-1/8	1-1/2	3/8-16	1	1	10-1/4	10-1/16	7-3/4	8	9-1/2	7-7/8
VBX-70	7	9	8-3/8	11	9-1/2	7-3/8	5-3/16	1-3/4	5/8-11	1-1/2	1-1/16	11-1/2	10-3/4	8-3/8	8	11	9-1/4
VBX-90	9	10-1/16	10-1/2	14	12	9-1/4	6-3/16	2	5/8-11	1-1/2	1-3/16	14-1/4	13-13/16	10-3/8	8-1/16	12-7/8	10

Size	S	T	U	KEYWAY	X ₁	W	Y	KEYWAY	X ₂	Z
VBX-50	3/4	1-3/8	2-5/16	15/16x5/32x2-1/4	1-5/32	2.187	5-1/2	1/2x1/4x5-3/8	3-15/16	13/16
VBX-60	11/16	1-1/2	2-11/16	3/8x3/16x2-5/8	1-11/32	2.937	7-1/2	3/4x3/8x6-3/8	5	15/16
VBX-70	5/8	1-5/8	3-1/8	3/8x3/16x3-1/16	1-9/16	3.437	7-1/2	7/8x7/16x6-7/16	5	1-1/8
VBX-90	11/16	2-1/8	3-15/16	1/2x1/4x3-7/8	1-31/32	3.937	7-1/2	1x1/2x6-1/2	5	1-5/16

Double Reduction Reducers

Double-Worm Type Dvbx Output Shaft Down

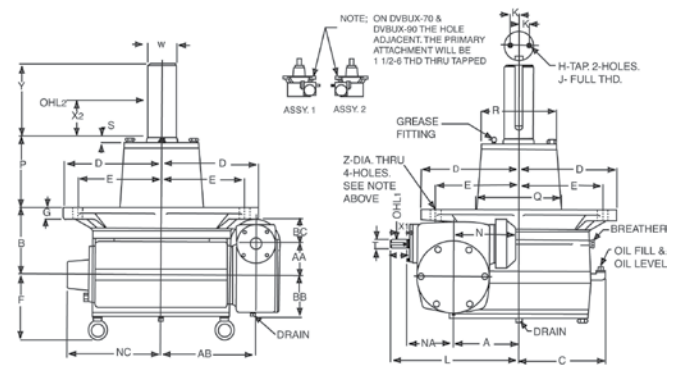


Size	OHL ₁ LBS.	OHL ₂ LBS.
DVBX-50	180	3,000
DVBX-60	240	5,000
DVBX-70	300	10,000
DVBX-90	540	14,000

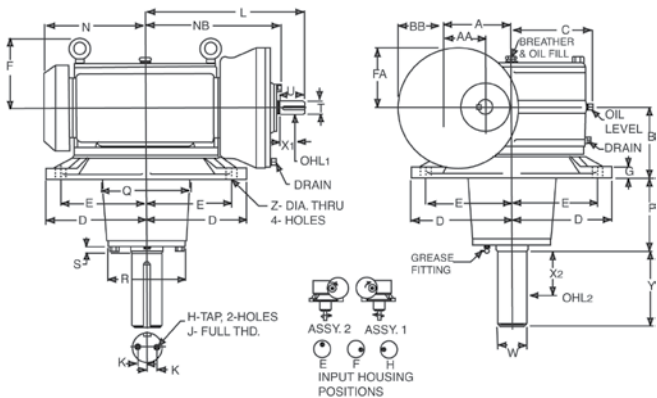
Size	A	AA	AB	B	BB	BC	C	D	E	F	G	H-TAP	J	K	L	N	NA
DVBX-50	5	2-1/2	7-7/8	7	3-5/8	2-1/8	6-5/8	8	7	6-7/8	1-1/4	3/8-16	1	3/4	10-3/8	5-1/16	3-5/8
DVBX-60	6	3	9-1/2	7-3/4	4-3/8	2-9/16	7-3/4	9-3/4	8-1/2	7-1/4	1-1/2	3/8-16	1	1	12-1/8	5-7/8	4-3/16
DVBX-70	7	3-1/2	10-3/8	9	4-3/4	2-9/16	8-3/8	11	9-1/2	7-3/8	1-3/4	5/8-11	1-1/2	1-1/16	14	6-9/16	5
DVBX-90	9	5	13-1/8	10-1/16	6-1/8	3-11/16	10-1/2	14	12	9-1/4	2	5/8-11	1-1/2	1-3/16	17-3/4	8-9/16	6-7/16

Size	NC	P	Q	R	S	T	U	KEYWAY	X1	W	Y	KEYWAY	X2	Z
DVBX-50	8-3/16	5	6-3/4	6-1/16	3/4	11/16	1-3/4	3/16x3/32x1-11/16	7/8	2.187	5-1/2	1/2x1/4x5-3/8	3-15/16	13/16
DVBX-60	9-9/16	8	9-1/2	7-7/8	11/16	7/8	1-7/8	3/16x3/32x1-13/16	15/16	2.937	7-1/2	3/4x3/8x6-3/8	5	15/16
DVBX-70	10-3/16	8	11	9-1/4	5/8	1	2	1/4x1/8x1-15/16	1	3.437	7-1/2	7/8x7/16x6-7/16	5	1-1/8
DVBX-90	13-3/8	8-1/16	12-7/8	10	11/16	1-3/8	2-5/16	5/16x5/32x2-1/4	1-5/32	3.937	7-1/2	1x1/2x6-1/2	5	1-5/16

Double-Worm Type Dvbx Output Shaft Up



Helical-Worm Type Hvbx Output Shaft Down



Size	OHL ₁ LBS.	OHL ₂ LBS.
HVBX-50	125	3,000
HVBX-60	190	5,000
HVBX-70	225	10,000
HVBX-90	550	14,000

Size	A	AA	B	BB	C	D	E	F	FA	G	H-TAP	J	K	L	N	NB	P
HVBX-50	5	3-1/2	7	3-15/16	6-5/8	8	7	6-7/8	5-1/16	1-1/4	3/8-16	1	3/4	12-5/8	8-5/8	10-3/8	5
HVBX-60	6	4	7-3/4	4-1/2	7-3/4	9-3/4	8-1/2	7-1/4	5-7/8	1-1/2	3/8-16	1	1	14-3/4	10-1/16	12-1/4	8
HVBX-70	7	4-1/2	9	5	8-3/8	11	9-1/2	7-3/8	6-1/2	1-3/4	5/8-11	1-1/2	1-1/16	16-3/8	10-3/4	13-5/8	8
HVBX-90	9	5	10-1/16	5-15/16	10-1/2	14	12	9-1/4	7-13/16	2	5/8-11	1-1/2	1-3/16	20-1/8	13-13/16	16-11/16	8-1/16

Size	Q	R	S	T	U	KEYWAY	X1	W	Y	KEYWAY	X2	Z
HVBX-50	6-3/4	6-1/16	3/4	1-1/8	2-1/4	1/4x1/8x2-3/16	1-1/8	2.187	5-1/2	1/2x1/4x5-3/8	3-15/16	13/16
HVBX-60	9-1/2	7-7/8	11/16	1-1/4	2-1/2	1/4x1/8x2-7/16	1-1/4	2.937	7-1/2	3/4x3/8x6-3/8	5	15/16
HVBX-70	11	9-1/4	5/8	1-3/8	2-3/4	5/16x5/32x2-11/16	1-3/8	3.437	7-1/2	7/8x7/16x6-7/16	5	1-1/8
HVBX-90	12-7/8	10	11/16	1-3/4	3-1/2	3/8x3/16x3-7/16	1-3/4	3.937	7-1/2	1x1/2x6-1/2	5	1-5/16

Helical-Worm Type Hvbx Output Shaft Up

