



Westinghouse Electric Corporation
Large Motor Division
Buffalo, New York, U.S.A. 14240

Renewal Parts Data
3508

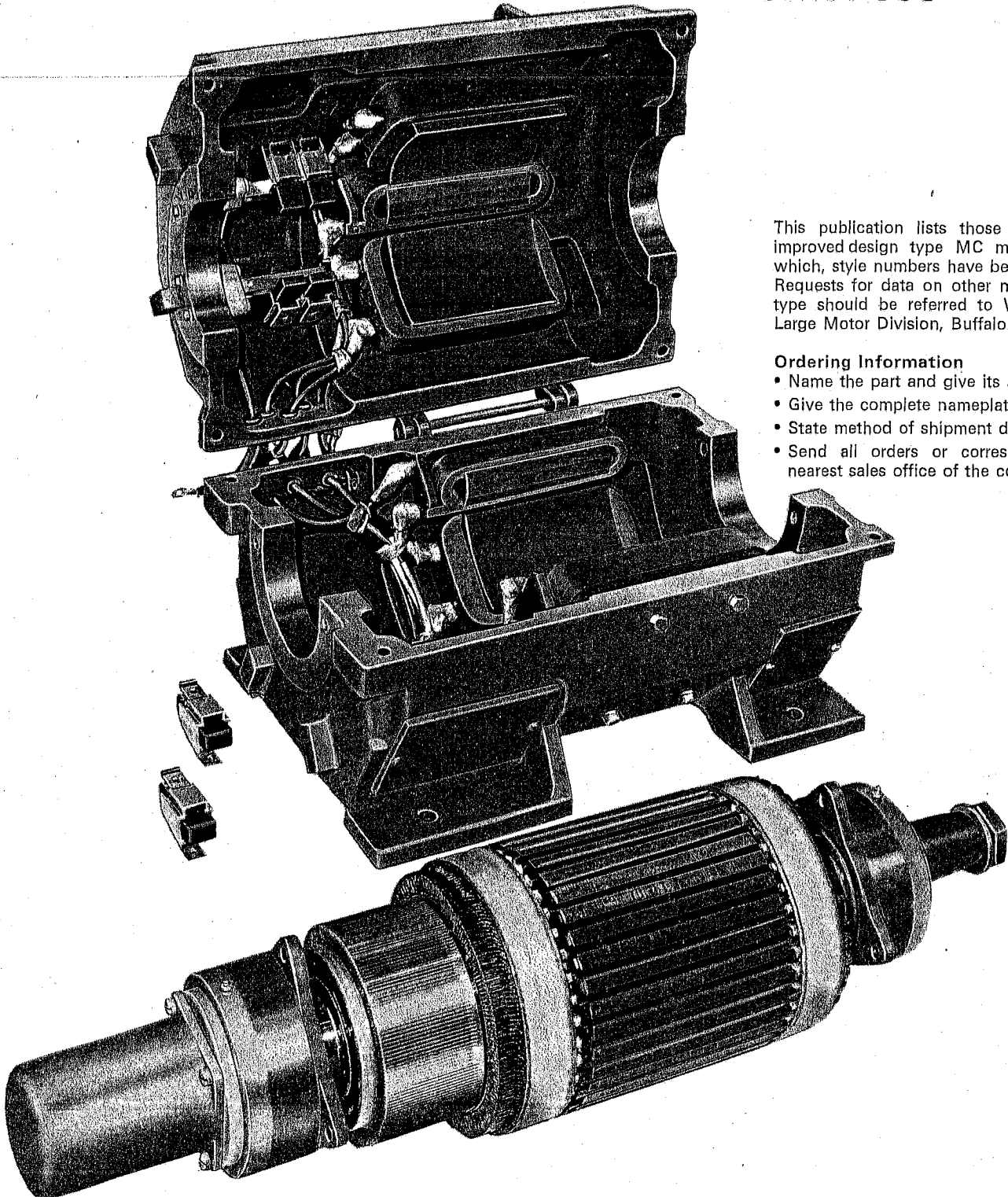
Page 1

May, 1977
Supersedes Renewal Parts Data 3508
pages 1-8, dated April, 1973

230 Volts Dc, Totally Enclosed

Mailed to: E, C/2727/PL

Mill Motors Types MC, Series 800



This publication lists those original and improved design type MC mill motors to which, style numbers have been applied. Requests for data on other motors of this type should be referred to Westinghouse Large Motor Division, Buffalo.

Ordering Information

- Name the part and give its style number.
- Give the complete nameplate reading.
- State method of shipment desired.
- Send all orders or correspondence to nearest sales office of the company.

Frame Size	Rating at 75°C				Style Number of Motor				Style Number of Part	
	1 Hour		½ Hour		Force Ventilated	Non Ventilated	Force Ventilated	Non Ventilated	Field CoilsⓄ	
	HP	RPM	HP	RPM					Main (4)	Commutating (4)
Type MC Series Wound										
802A	5	900	6.5	750	677B450G21	678B980G21	702B672G21	702B677G21	8935D31G01	8935D29G01
802B	7.5	800	10	675	677B450G01	678B980G01	702B672G01	702B677G01	8935D31G02	8935D29G02
802C	10	800	13.5	675	677B450G02	678B980G02	702B672G02	702B677G02	8935D31G03	8935D29G03
803	15	725	19	620	677B450G03	678B980G03	702B672G03	702B677G03	8935D31G04	8935D29G04
804	20	650	26	580	677B450G04	678B980G04	702B672G04	702B677G04	8935D32G01	8935D29G05
806	30	575	39	500	677B450G06	678B980G06	702B672G06	702B677G06	8935D32G02	8935D30G03
808	50	525	65	450	677B450G08	678B980G08	702B672G08	702B677G08	8935D32G03	8935D30G04
810	70	500	90	440	677B450G10	678B980G10	702B672G10	702B677G10	8935D32G04	8935D30G05
812	100	475	135	420	677B450G12	678B980G12	702B672G12	702B677G12	8935D32G05	8935D30G06
814	150	460	200	400	677B450G14	678B980G14	702B672G14	702B677G14	8935D32G06	8935D30G07
816	200	450	265	400	677B450G16	678B980G16	702B672G16	702B677G16	8935D32G07	8935D30G08
818	250	410	325	360	677B450G18	678B980G18	702B672G18	702B677G18	8935D32G08	8935D30G09
820	375	340	677B450G20	678B980G20	702B672G20	702B677G20	774A453G01	773A194G01

Type MC Compound Wound										
802A	5	1025	677B451G21	678B981G21	702B673G21	702B678G21	8935D73G01	8935D29G01
802B	7.5	900	677B451G01	678B981G01	702B673G01	702B678G01	8935D73G02	8935D29G02
802C	10	900	677B451G02	678B981G02	702B673G02	702B678G02	8935D73G03	8935D29G03
803	15	800	677B451G03	678B981G03	702B673G03	702B678G03	8935D73G04	8935D29G04
804	20	725	677B451G04	678B981G04	702B673G04	702B678G04	8935D74G01	8935D29G05
806	30	650	677B451G06	678B981G06	702B673G06	702B678G06	8935D74G02	8935D30G03
808	50	575	677B451G08	678B981G08	702B673G08	702B678G08	8935D74G03	8935D30G04
810	70	550	677B451G10	678B981G10	702B673G10	702B678G10	8935D74G04	8935D30G05
812	100	515	677B451G12	678B981G12	702B673G12	702B678G12	8935D74G05	8935D30G06
814	150	500	677B451G14	678B981G14	702B673G14	702B678G14	8935D74G06	8935D30G07
816	200	480	677B451G16	678B981G16	702B673G16	702B678G16	8935D74G07	8935D30G08
818	250	435	677B451G18	678B981G18	702B673G18	702B678G18	8935D74G08	8935D30G09
820	375	360	677B451G20	678B981G20	702B673G20	702B678G20	774A455G01	773A194G01

Type MC Straight Shunt Wound										
802A	5	1025	677B452G21	678B982G21	702B674G21	702B679G21	8935D33G01	8935D29G01
802B	7.5	900	677B452G01	678B982G01	702B674G01	702B679G01	8935D33G02	8935D29G02
802C	10	900	677B452G02	678B982G02	702B674G02	702B679G02	8935D33G03	8935D29G03
803	15	800	677B452G03	678B982G03	702B674G03	702B679G03	8935D33G04	8935D29G04
804	20	725	677B452G04	678B982G04	702B674G04	702B679G04	8935D33G05	8935D29G05
806	30	650	677B452G06	678B982G06	702B674G06	702B679G06	8935D33G06	8935D30G03
808	50	575	677B452G08	678B982G08	702B674G08	702B679G08	8935D33G07	8935D30G04
810	70	550	677B452G10	678B982G10	702B674G10	702B679G10	8935D33G08	8935D30G05
812	100	515	677B452G12	678B982G12	702B674G12	702B679G12	8935D33G09	8935D30G06
814	150	500	677B452G14	678B982G14	702B674G14	702B679G14	8935D33G10	8935D30G07
816	200	480	677B452G16	678B982G16	702B674G16	702B679G16	8935D33G11	8935D30G08
818	250	435	677B452G18	678B982G18	702B674G18	702B679G18	8935D33G12	8935D30G09
820	375	360	677B452G20	678B982G20	702B674G20	702B679G20	774A451G01	773A194G01

Ⓞ Main and commutating coil wound on pole.



Frame Size	Rating at 75°C				Style Number of Motor				Style Number of Part	
	1 Hour		½ Hour		Force Ventilated	Non Ventilated	Force Ventilated	Non Ventilated	Field Coils ①	
	HP	RPM	HP	RPM					Main (4)	Commutating (4)
Type MC Stabilized Shunt Wound Adjustable Speed ②										
802A②	5	1025/2050	677B453G21	678B983G21	702B675G21	702B680G21	8935D33G01	8935D29G01
802B②	7.5	900/1800	677B453G01	678B983G01	702B675G01	702B680G01	8935D33G01	8935D29G02
802C②	10	900/1800	677B453G02	678B983G02	702B675G02	702B680G02	8935D33G02	8935D29G03
803②	15	800/2000	677B453G03	678B983G03	702B675G03	702B680G03	8935D33G03	8935D29G04
804②	20	725/1800	677B453G04	678B983G04	702B675G04	702B680G04	8935D33G04	8935D29G05
806	30	650/1950	677B453G06	678B983G06	702B675G06	702B680G06	8935D34G01	8935D30G03
808	50	575/1725	677B453G08	678B983G08	702B675G08	702B680G08	8935D34G02	8935D30G04
810	70	550/1650	677B453G10	678B983G10	702B675G10	702B680G10	8935D34G03	8935D30G05
812	100	515/1300	677B453G12	678B983G12	702B675G12	702B680G12	8935D34G04	8935D30G06
814	150	500/1250	677B453G14	678B983G14	702B675G14	702B680G14	8935D34G05	8935D30G07
816	200	480/1200	677B453G16	678B983G16	702B675G16	702B680G16	8935D34G06	8935D30G08
818	250	435/1100	677B453G18	678B983G18	702B675G18	702B680G18	8935D34G07	8935D30G09
820	375	360/1080	677B453G20	678B983G20	702B675G20	702B680G20	774A457G01	773A194G01

Type MC Compound Wound Screw Down

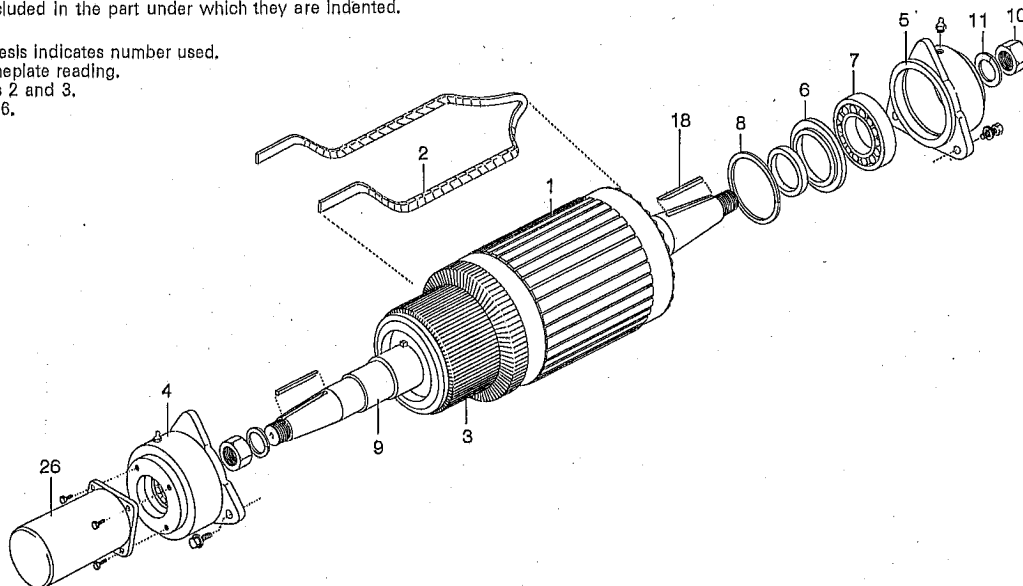
802A	5	1025	677B454G21	678B984G21	702B676G21	702B681G21	8935D75G01	8935D29G01
802B	7.5	900	677B454G01	678B984G01	702B676G01	702B681G01	8935D75G02	8935D29G02
802C	10	900	677B454G02	678B984G02	702B676G02	702B681G02	8935D75G03	8935D29G03
803	15	800	677B454G03	678B984G03	702B676G03	702B681G03	8935D76G01	8935D29G04
804	20	725	677B454G04	678B984G04	702B676G04	702B681G04	8935D76G02	8935D29G05
806	30	650	677B454G06	678B984G06	702B676G06	702B681G06	8935D76G03	8935D30G03
808	50	575	677B454G08	678B984G08	702B676G08	702B681G08	8935D76G04	8935D30G04
810	70	550	677B454G10	678B984G10	702B676G10	702B681G10	8935D76G05	8935D30G05
812	100	515	677B454G12	678B984G12	702B676G12	702B681G12	8935D76G06	8935D30G06
814	150	500	677B454G14	678B984G14	702B676G14	702B681G14	8935D76G07	8935D30G07
816	200	480	677B454G16	678B984G16	702B676G16	702B681G16	8935D76G08	8935D30G08
818	250	435	677B454G18	678B984G18	702B676G18	702B681G18	8935D76G09	8935D30G09
820	375	360	677B454G20	678B984G20	702B676G20	702B681G20	773A491G01	773A194G01

① Main and commutating coil wound on pole.
② Straight shunt wound.

Ref. No.	Description of Part	No. Used	Style Number of Part ^②				
			Frame 802A	Frame 802B	Frame 802C	Frame 803	Frame 804
1	Armature with shaft brgs. and hsgs.	1	4194A52G21	4194A52G01	4194A52G02	4194A52G03	4194A52G04
①	Core with rear coil support.	1					
①	Core without rear coil support.	1	861C887G01	861C887G01	861C887G05	861C887G07	861C887G09
2	Armature coil.	()	677B276G01 (29)	677B276G02 (29)	677B277G01 (29)	2229C42G02 (29)	2229C43G02 (35)
①	Commutator with front coil support	1					
①	Commutator w/o frt. coil support.	1	2727D63G07	2727D63G07	2727D63G07	2726D37G03	2727D14G03
①	Commutator segments.	()	③	③	③	③	③
①	Front mica V ring.	1	297B046H10	297B046H10	297B046H10	297B046H11	677B228H02
①	Rear mica V ring.	1	297B046H10	297B046H10	297B046H10	297B046H11	677B228H02
①	Cross connector comm.	()					
①	Wedges.	()	2727D63H08 (29)	2727D63H08 (29)	2727D63H28 (29)	2726D37H06 (29)	2727D14H07 (35)
4	Bearing housing with brg. and cap.	2	208C612G01	208C612G01	208C612G01	208C612G02	208C612G03
5	Bearing housing.	2	208C304H01	208C304H01	208C304H01	208C305H01	208C306H01
6	Bearing cap.	2	185C102H01	185C102H01	185C102H01	185C102H02	185C102H03
7	Roller bearing.	2	4109D38G14	4109D38G14	4109D38G14	4109D38G18	4109D38G23
8	Internal ring.	2	772A836H01	772A836H01	772A836H01	772A836H02	772A836H03
9	Shaft with punching key.	1	5441D53G01	5441D53G01	5441D53G01	5441D54G01	5441D55G01
18	Pinion key.	1	21D2428H01	21D2428H01	21D2428H01	21D2428H02	21D2428H02
10	Shaft nut.	1	654A005H05	654A005H05	654A005H05	31D4161H06	31D4161H06
11	Lockwasher.	1	1 1/2"	1 1/2"	1 1/2"	1 1/2"	1 1/2"
①	Bearing spacer collar.	2	642B300H01	642B300H01	642B300H01	642B300H02	642B300H03
14	Brush.	()	769A784G07 (2)	769A784G07 (4)	769A784G07 (4)	769A782G08 (4)	769A782G09 (4)
15	Brushholder.	()	4117D69G07 (2)	4117D69G07 (4)	4117D69G07 (4)	4117D69G08 (4)	4117D69G09 (4)
16	Spring.	()	4117D69G27 (2)	4117D69G27 (4)	4117D69G27 (4)	4117D69G28 (4)	4117D69G29 (4)
17	Brushholder rod.	()	861C508G01 (2)	861C508G01 (2)	861C508G01 (2)	861C508G02 (2)	861C508G03 (2)
12, 13	Field coil.	4	④	④	④	④	④
26	Shaft guard.	1	34C0594H01	34C0594H01	34C0594H01	678B869H01	678B869H01
21, 23, 24, 25	Frame cover.	10	⑤	⑤	⑤	⑤	⑤
			Frame 806	Frame 808	Frame 810	Frame 812	Frame 814
1	Armature with shaft brgs. and hsgs.	1	4194A52G06	4194A52G08	4194A52G10	4194A52G12	4194A52G14
①	Core with rear coil support.	1	185C162G01	185C162G04	185C162G07	185C162G10	185C162G13
①	Core without rear coil support.	1					
2	Armature coil.	()	2726D83G02 (37)	2726D72G02 (51)	4130D89G03 (45)	2726D42G03 (39)	2725D75G04 (46)
①	Commutator with front coil support	1	2726D93G03	2726D82G03	2725D58G03	2726D67G04	2725D95G03
①	Commutator w/o frt. coil support.	1					
①	Commutator segments.	()	③	③	861C979G16 (1)	③	861C979G22 (1)
①	Front mica V ring.	1	297B046H15	677B228H06		677B228H08	
①	Rear mica V ring.	1	677B228H03	677B228H05		677B228H07	
①	Cross connector comm.	()					
①	Wedges.	()	2726D93H05 (74)	2726D82H04 (102)	2725D58H05 (90)	2726D67H04 (78)	185C227G10 (23)
4	Bearing housing with brg. and cap.	2	208C612G04	208C612G05	208C612G06	208C612G07	2725D95H06 (92)
5	Bearing housing.	2	208C307H01	208C308H01	208C309H01	208C600H01	208C601H01
6	Bearing cap.	2	185C102H04	185C102H05	185C102H06	185C102H07	185C102H08
7	Roller bearing.	2	4109D38G30	4109D38G38	4109D39G04	4109D39G07	4109D39G12
8	Internal ring.	2	772A836H04	772A836H05	772A836H06	772A836H07	772A836H08
9	Shaft with punching key.	1	5441D56G01	5441D57G01	5441D58G01	5441D59G01	5441D60G01
18	Pinion key.	1	21D2428H03	21D2428H04	21D2428H04	21D2428H05	21D2428H06
10	Shaft nut.	1	31D4161H19	31D4161H09	654A005H10	31D4161H04	31D4161H18
11	Lockwasher.	1	2"	2 1/2"	2 1/2"	3"	894747H30
①	Bearing spacer collar.	2	642B300H04	642B300H05	642B300H06	642B300H07	642B300H08
14	Brush.	()	769A782G13 (4)	769A782G18 (4)	769A782G17 (8)	769A782G18 (8)	769A782G18 (12)
15	Brushholder.	()	4117D69G13 (4)	4117D69G18 (4)	4117D69G17 (8)	4117D69G18 (8)	4117D69G18 (12)
16	Spring.	()	4117D69G33 (4)	4117D69G38 (4)	4117D69G37 (8)	4117D69G38 (8)	4117D69G38 (12)
17	Brushholder rod.	()	861C508G04 (2)	861C508G05 (4)	861C508G06 (4)	861C508G06 (4)	861C508G08 (4)
12, 13	Field coil.	4	④	④	④	④	④
26	Shaft guard.	1	18B0692H01	18B0692H01	21B0190H01	21B0190H01	09C0782H01
21, 23, 24, 25	Frame cover.	10	⑤	⑤	⑤	⑤	⑤

Parts Indented are Included In the part under which they are Indented.

- ① Not illustrated.
- ② Number in parenthesis indicates number used.
- ③ Give complete nameplate reading.
- ④ See table on pages 2 and 3.
- ⑤ See table on page 6.

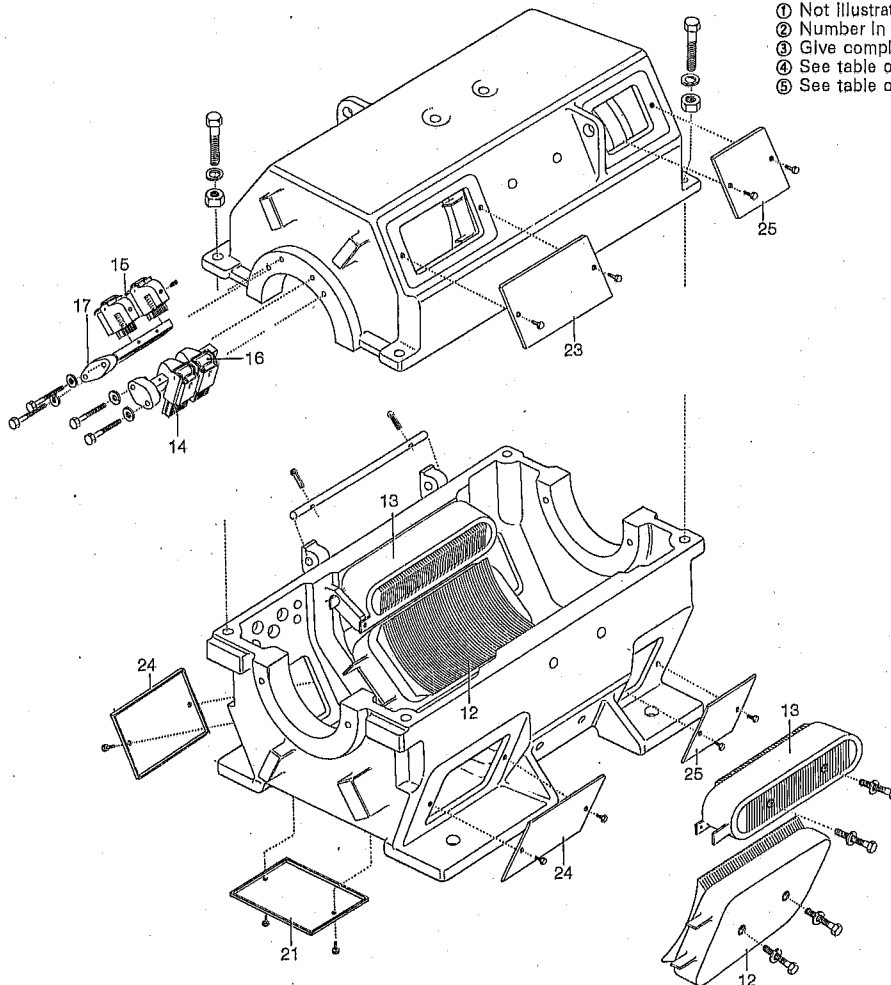




Ref. No.	Description of Part	No. Used	Style Number of Part ^②		
			Frame 816	Frame 818	Frame 820
1	Armature with shaft brgs. and hsgs.....	1	4194A52G16	4194A52G18	4194A52G20
①	Core with rear coil support.....	1	185C162G16	185C162G19	185C162G22
①	Core without rear coil support.....	1			
2	Armature coil.....	()	2727D73G02 (42)	2728D04G02 (54)	2728D56G02 (62)
①	Commutator with front coil support.....	1	2727D82G03	2728D33G03	2728D76G03
3	Commutator without frt. coil support.....	1			
①	Commutator segments.....	()	③	861C979G28 (1)	185C347G13 (1)
①	Front mica V ring.....	1	318B134H05		318B134H06
①	Rear mica V ring.....	1	677B228H09		677B228H11
①	Cross connector comm.....	()	185C227G13 (21)	185C227G16 (27)	185C227G19 (31)
①	Wedges.....	()	2727D82H05 (84)	2728D33H06 (108)	2728D76H05 (186)
4	Bearing housing with brg. and cap.....	2	208C612G09	208C612G10	208C612G11
5	Bearing housing.....	2	208C602H01	208C603H01	2728D83H01
6	Bearing cap.....	2	185C102H09	185C102H10	185C102H11
7	Roller bearing.....	2	4109D39G21	4109D39G24	333P169G01
8	Internal ring.....	2	771A921H09	771A921H10	771A921H11
9	Shaft with punching key.....	1	5441D61G01	5441D62G01	5441D63G01
18	Pinion key.....	1	21D2428H07	21D2428H08	21D2428H12
10	Shaft nut.....	1	654A005H13	654A005H14	31D4160H20
11	Lockwasher.....	1	52D9066H08	52D9066H08	52D9066H10
①	Bearing spacer collar.....	2	642B300H09	642B300H10	642B300H11
14	Brush.....	()	769A782G18 (16)	769A782G19 (16)	769A782G20 (20)
15	Brushholder.....	()	4117D69G18 (16)	4117D69G19 (16)	4117D69G20 (20)
16	Spring.....	()	4117D69G38 (16)	4117D69G39 (16)	
17	Brushholder rod.....	()	861C508G09 (4)	861C508G10 (4)	861C508G11 (4)
12, 13	Field coil.....	4	④	④	④
26	Shaft guard.....	1	06B8488H01	06B8491H01	06B8491H01
21, 23, 24, 25	Frame cover.....	10	⑤	⑤	⑤

Parts indented are included in the part under which they are indented.

- ① Not illustrated.
- ② Number in parenthesis indicates number used.
- ③ Give complete nameplate reading.
- ④ See table on pages 2 and 3.
- ⑤ See table on page 6.



Style Number of Motor	Style Number of Part [Ⓞ]					Frame Size
	Upper Frame Cover Front	Lower Frame Cover Front	Upper & Lower Frame Cover Rear	Bottom Frame Cover Front	Bottom Frame Cover Rear	
G21	702B888G02 (2)	702B888G01 (2)	702B891G01 (4)	185C194H01 (1)	185C194H02 (1)	802A
G01	702B888G02 (2)	702B888G01 (2)	702B891G01 (4)	185C194H01 (1)	185C194H02 (1)	802B
G02	702B888G02 (2)	702B888G01 (2)	702B891G01 (4)	185C194H01 (1)	185C194H02 (1)	802C
G03	702B889G02 (2)	702B889G01 (2)	702B892G01 (4)	185C194H03 (1)	185C194H04 (1)	803
G04	702B890G02 (2)	702B890G01 (2)	702B893G01 (4)	185C194H05 (1)	185C194H06 (1)	804
G06	4130D56G13 (2)	4130D56G14 (2)	4130D56G15 (4)	185C194H07 (1)	185C194H08 (1)	806
G08	4130D56G17 (2)	4130D56G17 (2)	4130D56G19 (4)	185C194H09 (1)	185C194H10 (1)	808
G10	4130D56G21 (2)	4130D56G21 (2)	4130D56G23 (4)	185C194H11 (1)	185C194H12 (1)	810
G12	4130D56G25 (1)	4130D56G25 (2)	4130D56G27 (4)	185C194H13 (1)	185C194H14 (1)	812
G14	4130D56G29 (2)	4130D56G29 (2)	4130D56G31 (4)	185C194H15 (1)	185C194H16 (1)	814
G16	4130D56G33 (2)	4130D56G33 (2)	4130D56G35 (4)	185C194H17 (1)	185C194H18 (1)	816
G18	4130D56G37 (2)	4130D56G37 (2)	4130D56G39 (4)	185C194H19 (1)	185C194H20 (1)	818
G20	820

677B450 677B451 677B452 677B453 677B454 678B980 678B981 678B982 678B983 678B984

Group numbers listed above apply to motor styles. Parts are common.

Style Number of Motor	Style Number of Part [Ⓞ]					Frame Size
	Upper Frame Cover Front	Lower Frame Cover Front	Upper & Lower Frame Cover Rear	Bottom Frame Cover Front	Bottom Frame Cover Rear	
G21	702B058G02 (2)	702B058G01 (2)	702B064G01 (4)	185C194H01 (1)	185C194H02 (1)	802A
G01	702B058G02 (2)	702B058G01 (2)	702B064G01 (4)	185C194H01 (1)	185C194H02 (1)	802B
G02	702B058G02 (2)	702B058G01 (2)	702B064G01 (4)	185C194H01 (1)	185C194H02 (1)	802C
G03	702B059G02 (2)	702B059G01 (2)	702B065G01 (4)	185C194H03 (1)	185C194H04 (1)	803
G04	702B060G02 (2)	702B060G01 (2)	702B066G01 (4)	185C194H05 (1)	185C194H06 (1)	804
G06	702B061G02 (2)	702B061G01 (2)	702B067G01 (4)	185C194H07 (1)	185C194H08 (1)	806
G08	702B062G01 (2)	702B062G01 (2)	702B068G01 (4)	185C194H09 (1)	185C194H10 (1)	808
G10	702B063G01 (2)	702B063G01 (2)	702B069G01 (4)	185C194H11 (1)	185C194H12 (1)	810
G12	702B226G01 (2)	702B226G01 (2)	702B231G01 (4)	185C194H13 (1)	185C194H14 (1)	812
G14	702B227G01 (2)	702B227G01 (2)	702B232G01 (4)	185C194H15 (1)	185C194H16 (1)	814
G16	702B228G01 (2)	702B228G01 (2)	702B233G01 (4)	185C194H17 (1)	185C194H18 (1)	816
G18	702B229G01 (2)	702B229G01 (2)	702B234G01 (4)	185C194H19 (1)	185C194H20 (1)	818
G20	820

702B672 702B673 702B674 702B675 702B676 702B677 702B678 702B679 702B680 702B681

Group numbers listed above apply to motor styles. Parts are common.

Ⓞ Number in parenthesis indicates number used.



Insulating Bushing^②

Frame Number	Style Number of Bushing ^①					
	Series Wound	Cable Hole Size Inches	Stabilized Shunt or Compound Wound	Cable Hole Size Inches	Shunt Wound	Cable Hole Size Inches
802A	448A518H03 (8)	1 ¹ / ₃₂	448A518H02 (4)	1/4	448A518H02 (4)	1/4
	448A518H03 (8)	1 ¹ / ₃₂
802B	448A518H03 (8)	1 ¹ / ₃₂	448A518H02 (4)	1/4	448A518H02 (4)	1/4
	448A518H03 (8)	1 ¹ / ₃₂
802C	448A518H03 (8)	1 ¹ / ₃₂	448A518H02 (4)	1/4	448A518H02 (4)	1/4
	448A518H03 (8)	1 ¹ / ₃₂
803	448A518H04 (8)	1 ⁹ / ₃₂	448A518H02 (4)	1/4	448A518H02 (4)	1/4
	448A518H04 (8)	1 ⁹ / ₃₂
804	448A518H04 (8)	1 ⁹ / ₃₂	448A518H02 (4)	1/4	448A518H02 (4)	1/4
	448A518H04 (8)	1 ⁹ / ₃₂
806	29085 (8)	9 ¹ / ₁₆	448A518H02 (4)	1/4	448A518H02 (4)	1/4
	29085 (8)	9 ¹ / ₁₆
808	448A518H04 (4)	1 ⁹ / ₃₂	448A518H04 (4)	1 ⁹ / ₃₂	448A518H04 (4)	1 ⁹ / ₃₂
	29085 (7)	9 ¹ / ₁₆	448A518H02 (4)	1/4	448A518H02 (4)	1/4

810	448A518H05 (4)	1/2	448A518H05 (4)	1/2	448A518H05 (4)	1/2
	783989	2 ³ / ₃₂	448A518H02 (4)	1/4	448A518H02 (4)	1/4
	783989 (7)	2 ³ / ₃₂
812	29085 (4)	9 ¹ / ₁₆	29085 (4)	9 ¹ / ₁₆	29085 (4)	9 ¹ / ₁₆
	167138 (7)	4 ⁹ / ₆₄	448A518H02 (4)	1/4	448A518H02 (4)	1/4
	167138 (7)	4 ⁹ / ₆₄
814	783989 (8)	2 ³ / ₃₂	448A518H02 (4)	1/4	448A518H02 (4)	1/4
	783989 (8)	2 ³ / ₃₂	783989 (8)	2 ³ / ₃₂

816	167138 (8)	4 ⁹ / ₆₄	448A518H02 (4)	1/4	448A518H02 (4)	1/4
	167138 (8)	4 ⁹ / ₆₄	167138 (8)	4 ⁹ / ₆₄
818	711495 (8)	1 ⁹ / ₁₆	448A518H02 (4)	1/4	448A518H02 (4)	1/4
	711495 (8)	1 ⁹ / ₁₆	711495 (8)	1 ⁹ / ₁₆

① Number in parenthesis indicates number used.

② Customer should determine cable hole of bushing and order by style number and quantity used.



Printed in U.S.A.