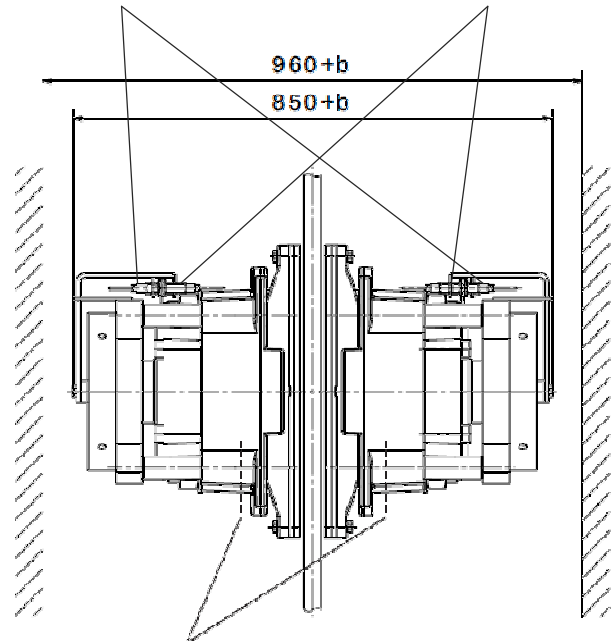
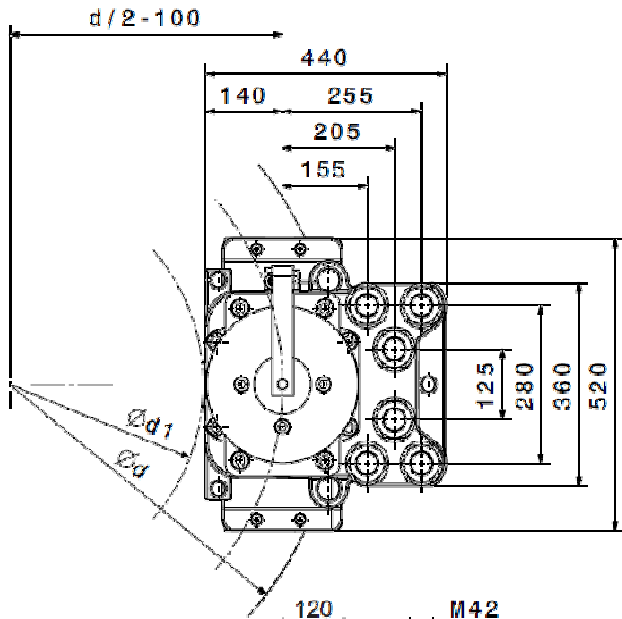
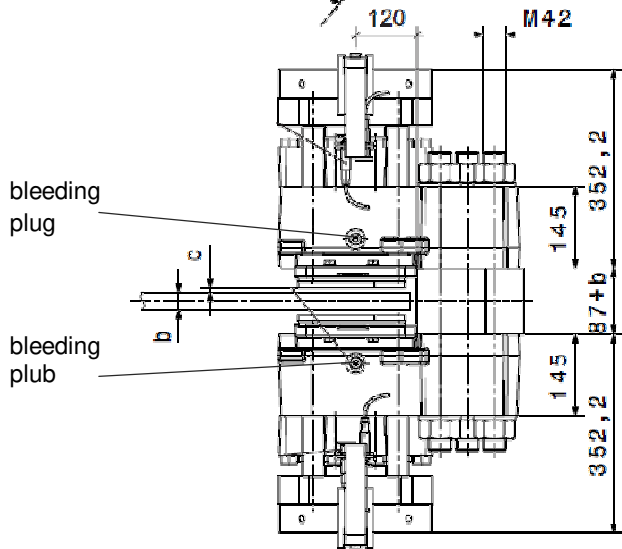


Optional limit switch: brake open/ closed

Optional limit switch: lining wear



hydraulic-connection R 1/2"



bleeding plug

bleeding plug

Mounting studs			
n	number		6
	size, material		M42, 12.9
M _A	fastening torque	Nm	6000 at $\mu=0,14$
Linings			
	material		sinter
	friction coefficient		0,4

		SHI-Type	251	252
Clamping Force F _A				
F _A	with airgap c = 1 mm	kN	335	440
F _A	with airgap c = 2 mm	kN	302	400
F _A	with airgap c = 3 mm	kN	270	360
Torque Calculation				
M _{Br}	braking torque Nm	$2 \times F_A \times \mu \times (d/2-100)$		
Hydraulic				
P _L	release pressure	bar	105	140
P _{max}	max. pressure	bar	150	175
V _{max}	volume at c= 2,0 mm	ltr	0,142	
Brake Discs				
b	disc thickness	mm	≥ 20	
d	disc diameter	mm		
d ₁	max. hub or drum diameter	mm	d-490mm	
Mass				
L x W x H = 440 x (960+b) x 520 mm				
weight: 560 kg				

Alterations reserved

SIBRE Siegerland-Bremsen GmbH · Auf der Stücke 1-5 · D-35708 Haiger, Germany
 Tel.: +49 2773 94000 · Fax: +49 2773 9400-10 · e-mail: info@sibre.de · www.sibre.de