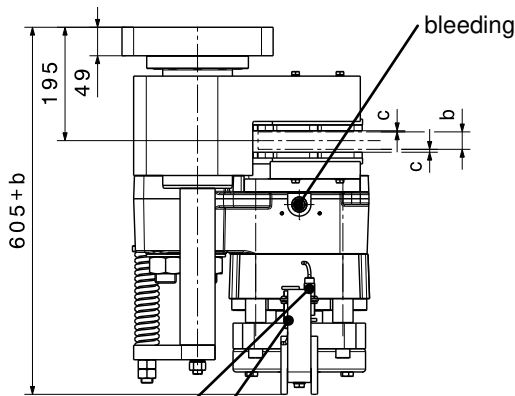


hydraulic connection G 1/2"



optional limit switch:
lining wear

optional limit switch:
brake open / close

Mounting Studs			
n	quantity		8
	size, grade		M30, 10.9
M _A	fastening torque	Nm	2000 at μ=0,14
Linings			
	material		sinter
	friction coefficient *		0,4

*average friction coefficient with standard material combination and a circumferential speed up to 15 m/s

SHI-Type		231 FC	232 FC
Clamping Force F_A			
F _A	with airgap c = 1 mm	kN	240
F _A	with airgap c = 1,5 mm	kN	225
Torque Calculation			
M _{Br}	braking torque Nm	2 x F _A x μ x (d/2-95)	
Hydraulic			
P _L	release pressure	bar	130
P _{max}	max. pressure	bar	175
V _{max}	volume at c= 1,5 mm	ltr	0,076
Brake Discs			
b	disc thickness	mm	20 ≤ b ≤ 40
d	disc-Ø	mm	900 ≤ d ≤ 2400
d ₁	max. hub- / drum-Ø	mm	d - 440
Dimensions			
L x W x H = 425 x (605+b) x 820 mm			
max. weight: 558 kg			

When ordering please advise: right hand version, as shown;
left hand version, mirror inverted!